

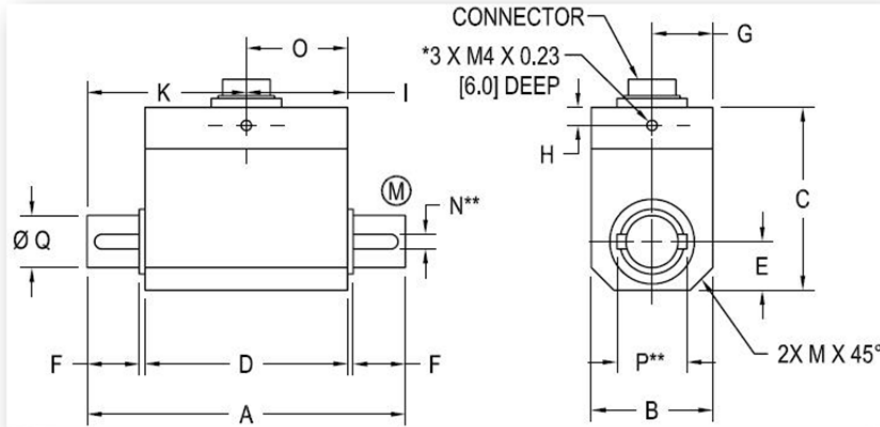
BKC/15/19/12 Bored to Fit Shaft #1 & Shaft #2 Specified Below.

http://www.rw-america.com/products/bellows_couplings/bk_bx_pdf/BKC_metal-bellows-couplings.pdf

Shaft #1:

FUTEK FSH 01989

<http://www.futek.com/files/pdf/Product%20Drawings/trs300.pdf>



ITEM #	CAPACITY in-lb N-m	$\varnothing Q$	A	B	C	D	E	F	G	H	I	K	M	N**	P**	O	***MAX AXIAL FORCE lb[N]	***MAX RADIAL FORCE lb[N]	WEIGHT lb[kg]
FSH01987	89 10																34 [150]	4.5 [20]	1.1 [0.5]
FSH01988	177 20	0.748 [19] g6	4.25 [108]	1.49 [38]	2.28 [58]	1.73 [44]	0.74 [19]	1.18 [30]	0.74 [19]	0.23 [6]	0.86 [22]	2.08 [53]	0.40 [10]	0.236 [6]	0.945 [24]	0.87 [22]	124 [550]	6.8 [30]	
FSH01989	443 50																225 [1000]	11 [50]	
FSH01990	885 100																405 [1800]	56 [250]	

Shaft #2:

Maxon Motor Part Number 223093

http://www.maxonmotorusa.com/medias/sys_master/8807051984926/13_273-274_EN.pdf

