

| REVISIONS | | | |
|-----------|-----------------|---------|----------|
| REV. | DESCRIPTION | DATE | APPROVED |
| 0 | INITIAL RELEASE | 9/29/17 | |

- GENERAL NOTES: UNLESS OTHERWISE SPECIFIED
1. SURFACE FLOAT OVERALL MASS: 27,800 KG
ESTIMATED STEEL STRUCTURE MASS: 12,000 KG
 2. WATER TIGHT ENCLOSURES REQUIRED TO ISOLATE DRUMS FROM DRY VOLUME OF FLOAT
 3. EQUIPMENT SHOWN IN PINK SUBJECT TO CHANGE

OSCILLA power

METRIC

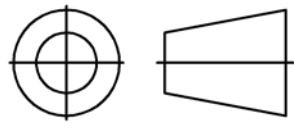
PROPRIETARY AND CONFIDENTIAL

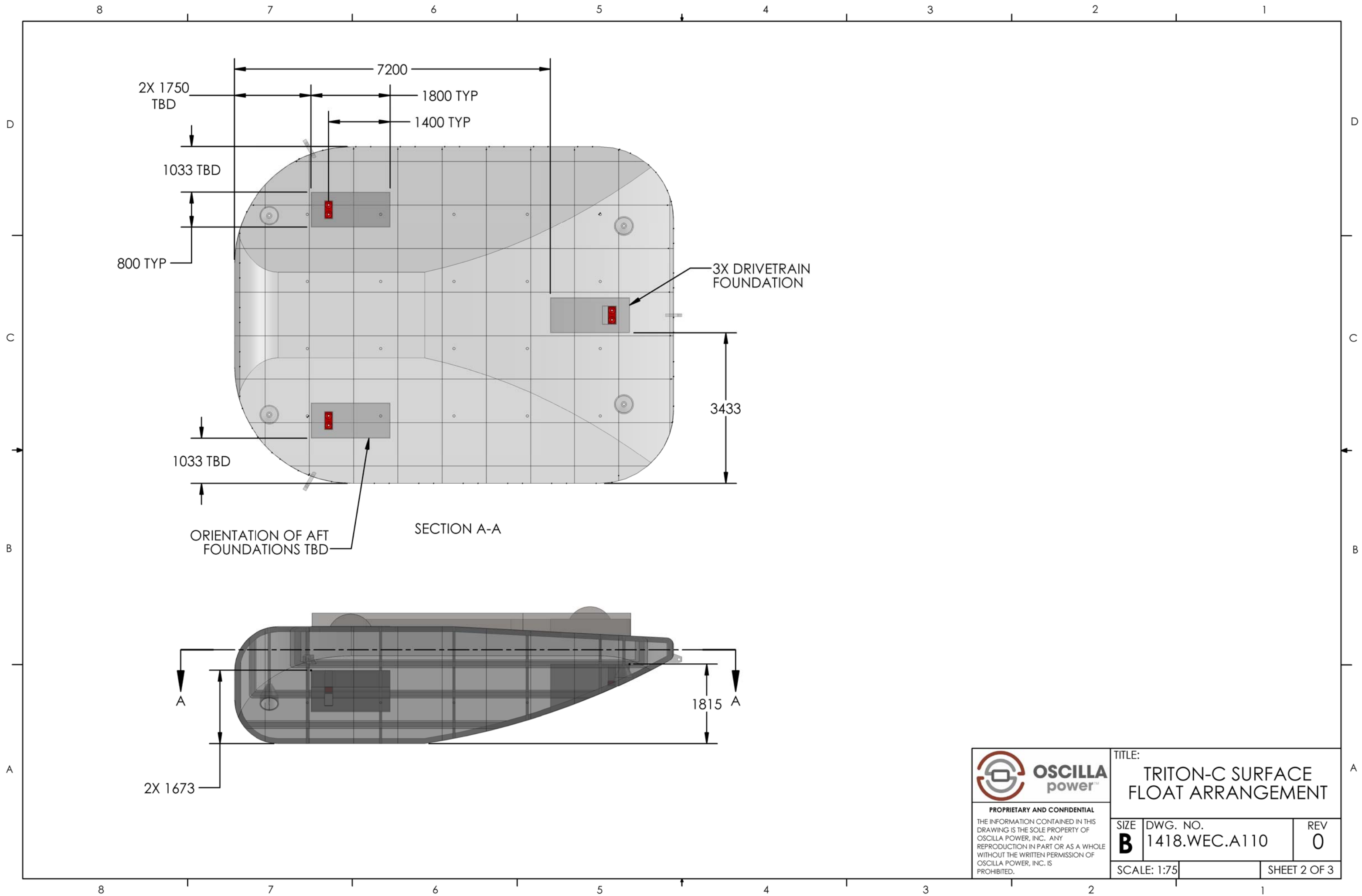
THE INFORMATION CONTAINED IN THIS DRAWING IS THE SOLE PROPERTY OF OSCILLA POWER, INC. ANY REPRODUCTION IN PART OR AS A WHOLE WITHOUT THE WRITTEN PERMISSION OF OSCILLA POWER, INC. IS PROHIBITED.


| | |
|--|--------|
| UNLESS OTHERWISE SPECIFIED: | |
| DIMENSIONS IN MILLIMETERS | |
| TOLERANCES: | |
| X | +/- 15 |
| X.X | +/- 5 |
| X.XX | +/- 3 |
| ANGLES: +/- 1° | |
| INTERPRET GEOMETRIC TOLERANCING PER: ANSI STANDARD | |
| MATERIAL | |
| FINISH | |
| DO NOT SCALE DRAWING | |

| | |
|--|----------------|
| CAD GENERATED DRAWING DO NOT MANUALLY UPDATE | |
| NAME | DATE |
| DRAWN | A.GILL 9/28/17 |
| CHECKED | |
| ENG APPR. | |

| | | |
|------------------------------------|---------------|--------------|
| TITLE: | | |
| TRITON-C SURFACE FLOAT ARRANGEMENT | | |
| SIZE | DWG. NO. | REV |
| B | 1418.WEC.A110 | 0 |
| SCALE: 1:75 | | SHEET 1 OF 3 |






OSCILLA
 power™

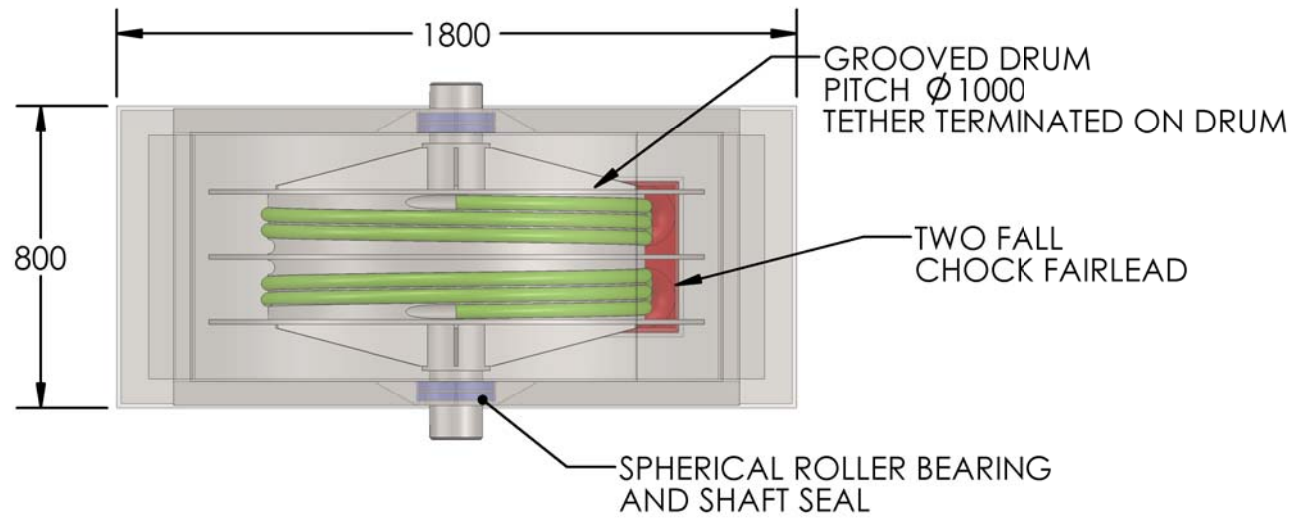
PROPRIETARY AND CONFIDENTIAL
 THE INFORMATION CONTAINED IN THIS DRAWING IS THE SOLE PROPERTY OF OSCILLA POWER, INC. ANY REPRODUCTION IN PART OR AS A WHOLE WITHOUT THE WRITTEN PERMISSION OF OSCILLA POWER, INC. IS PROHIBITED.

| | | |
|------------------------------------|---------------|--------------|
| TITLE: | | |
| TRITON-C SURFACE FLOAT ARRANGEMENT | | |
| SIZE | DWG. NO. | REV |
| B | 1418.WEC.A110 | 0 |
| SCALE: 1:75 | | SHEET 2 OF 3 |

8 7 6 5 4 3 2 1

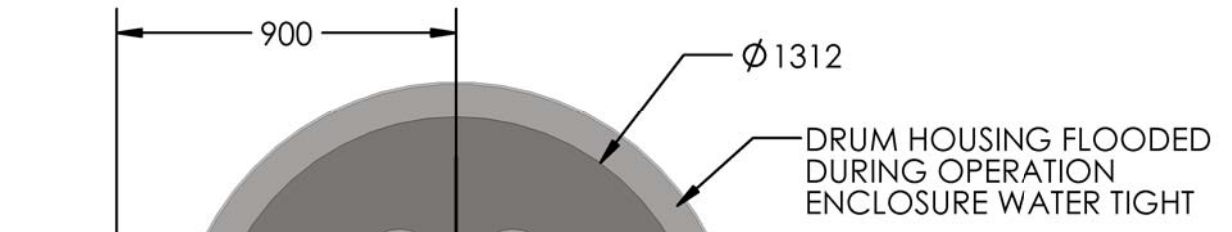
D

D



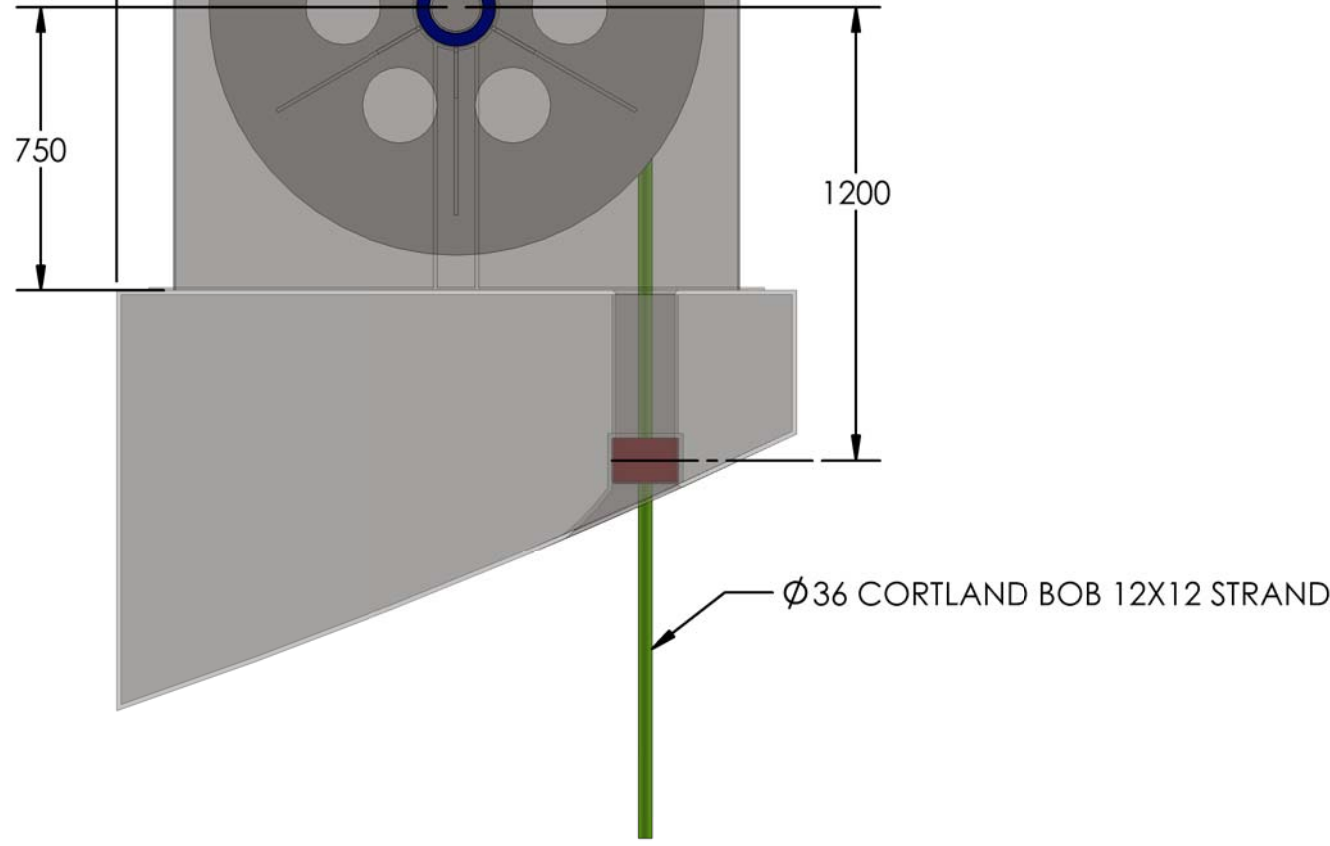
C

C



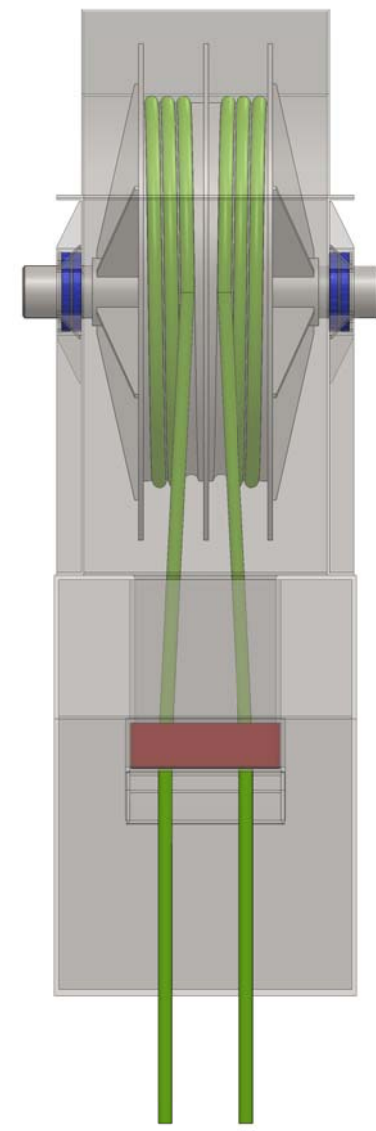
B

B



A

A



8 7 6 5 4 3 2 1

OSCILLA
power™

PROPRIETARY AND CONFIDENTIAL
THE INFORMATION CONTAINED IN THIS
DRAWING IS THE SOLE PROPERTY OF
OSCILLA POWER, INC. ANY
REPRODUCTION IN PART OR AS A WHOLE
WITHOUT THE WRITTEN PERMISSION OF
OSCILLA POWER, INC. IS
PROHIBITED.

| | | |
|---|---------------------------|--------------|
| TITLE: TRITON-C SURFACE FLOAT ARRANGEMENT | | |
| SIZE B | DWG. NO. 1418.WEC.A110 | REV 0 |
| SCALE: 1:20 | | SHEET 3 OF 3 |