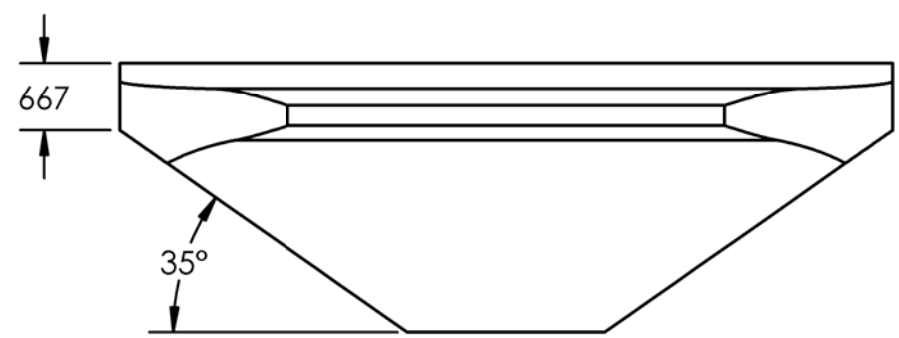
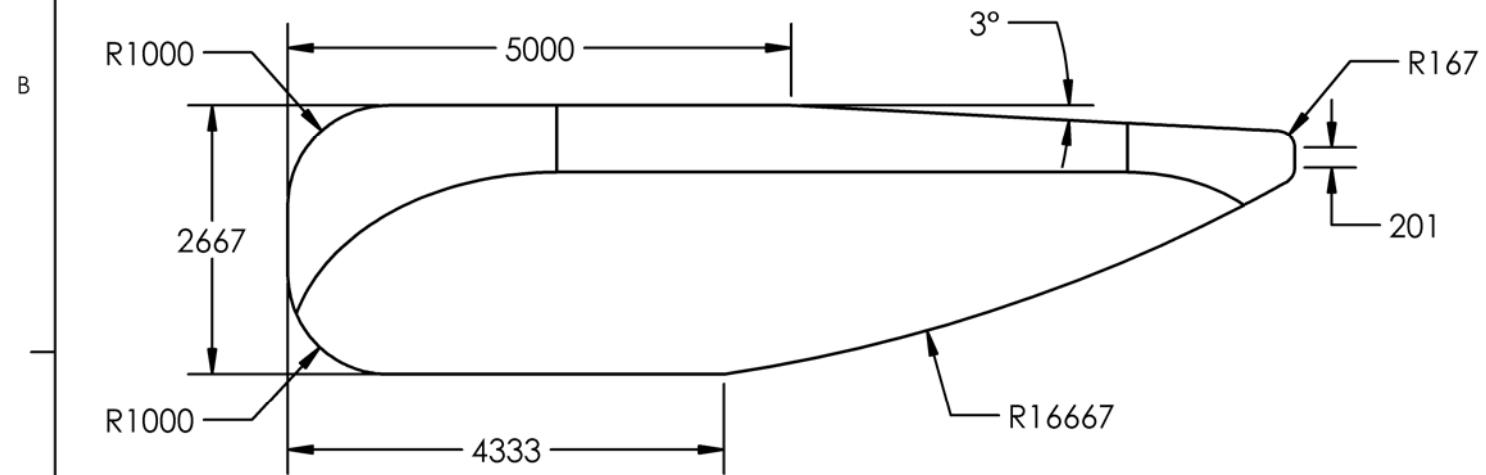
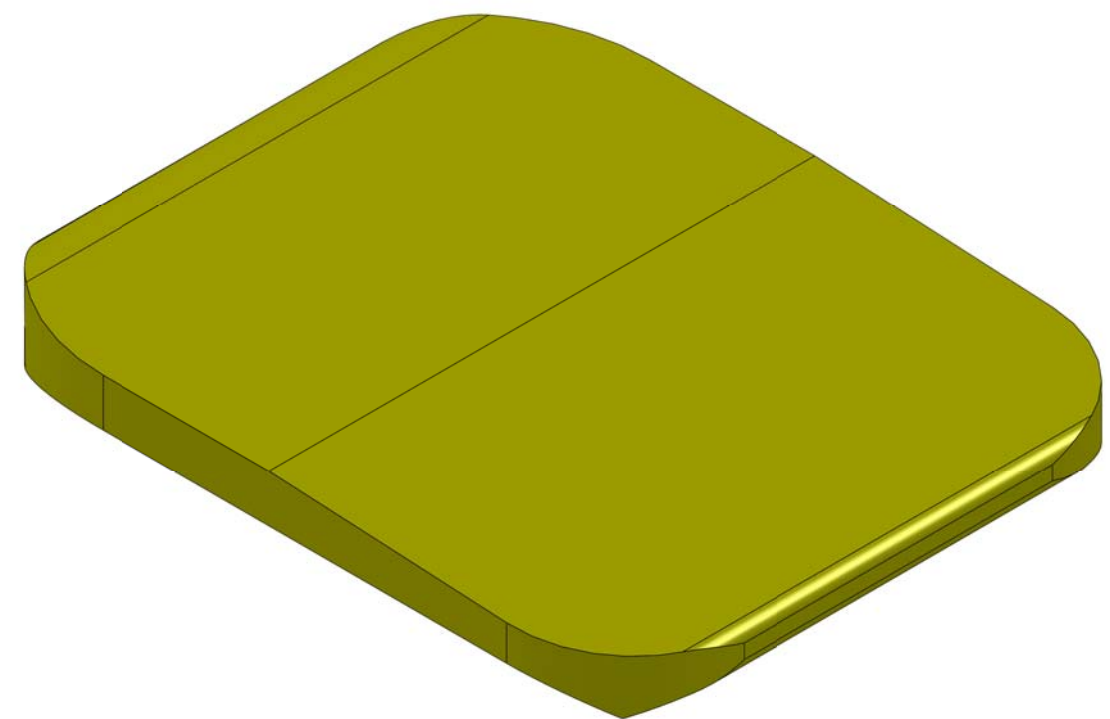
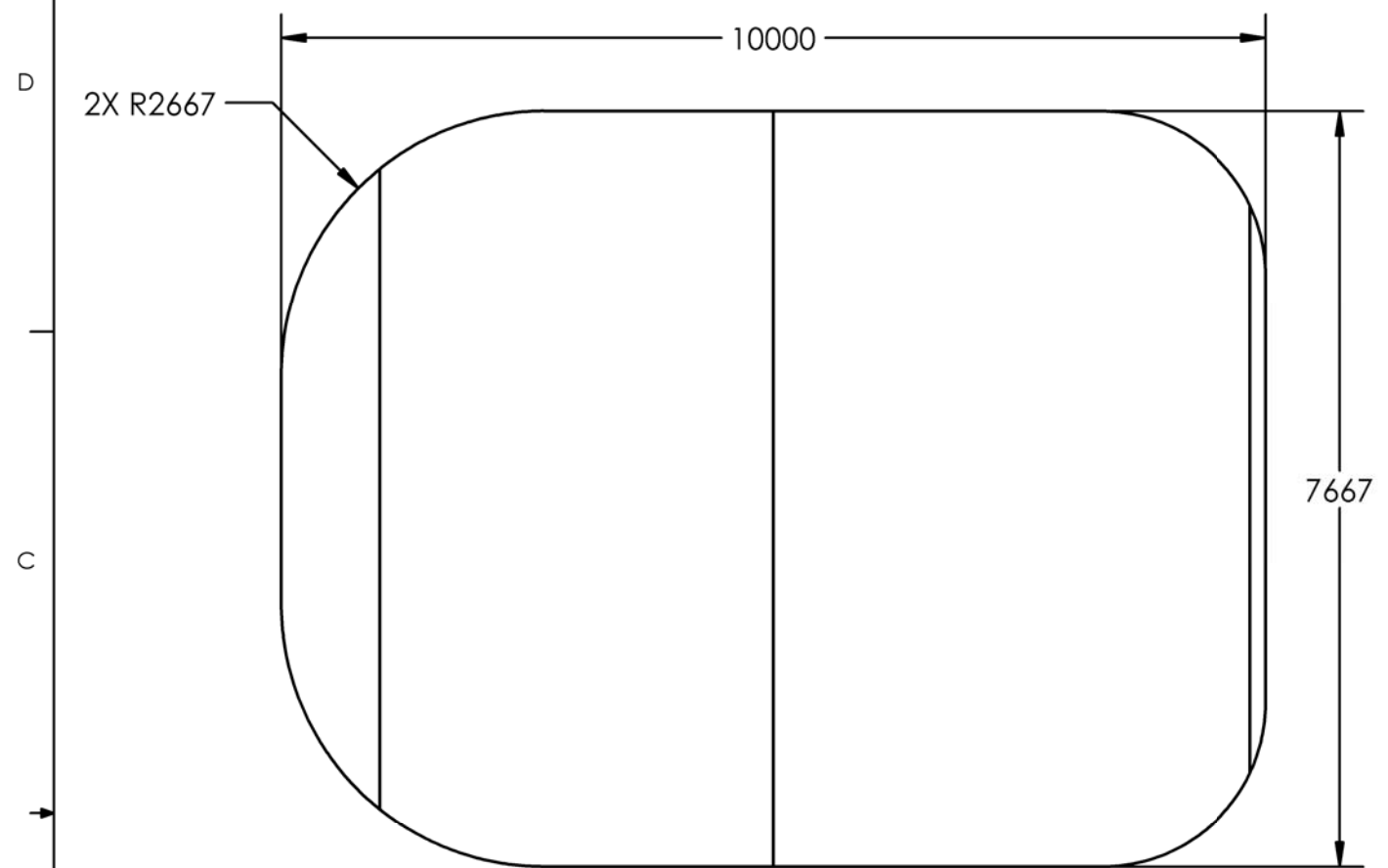

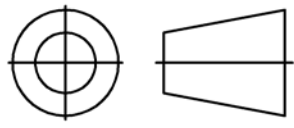


REVISIONS			
REV.	DESCRIPTION	DATE	APPROVED
0	INITIAL RELEASE	9/28/17	



 <p>OSCILLA power</p>	UNLESS OTHERWISE SPECIFIED:	CAD GENERATED DRAWING DO NOT MANUALLY UPDATE		TITLE: TRITON-C SURFACE FLOAT HULL															
	<p>DIMENSIONS IN MILLIMETERS TOLERANCES:</p> <p>X +/- 15 X.X +/- 5 X.XX +/- 3</p> <p>ANGLES: +/- 1°</p> <p>INTERPRET GEOMETRIC TOLERANCING PER: ANSI STANDARD</p>	<table border="1"> <tr> <td>NAME</td> <td>DATE</td> </tr> <tr> <td>A.GILL</td> <td>9/28/17</td> </tr> </table>	NAME		DATE	A.GILL	9/28/17	<table border="1"> <tr> <td>DRAWN</td> <td>CHECKED</td> <td>ENG APPR.</td> </tr> <tr> <td></td> <td></td> <td></td> </tr> </table>	DRAWN	CHECKED	ENG APPR.				<table border="1"> <tr> <td>SIZE</td> <td>DWG. NO.</td> <td>REV</td> </tr> <tr> <td>B</td> <td>1418.WEC.A120</td> <td>0</td> </tr> </table>	SIZE	DWG. NO.	REV	B
NAME	DATE																		
A.GILL	9/28/17																		
DRAWN	CHECKED	ENG APPR.																	
SIZE	DWG. NO.	REV																	
B	1418.WEC.A120	0																	
<p>METRIC</p> <p>PROPRIETARY AND CONFIDENTIAL</p> <p>THE INFORMATION CONTAINED IN THIS DRAWING IS THE SOLE PROPERTY OF OSCILLA POWER, INC. ANY REPRODUCTION IN PART OR AS A WHOLE WITHOUT THE WRITTEN PERMISSION OF OSCILLA POWER, INC. IS PROHIBITED.</p>	<p>MATERIAL: -</p> <p>FINISH: -</p> <p>DO NOT SCALE DRAWING</p>		<p>SCALE: 1:75</p> <p>SHEET 1 OF 1</p>																