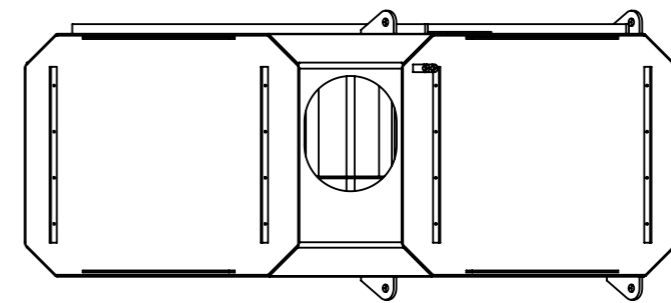
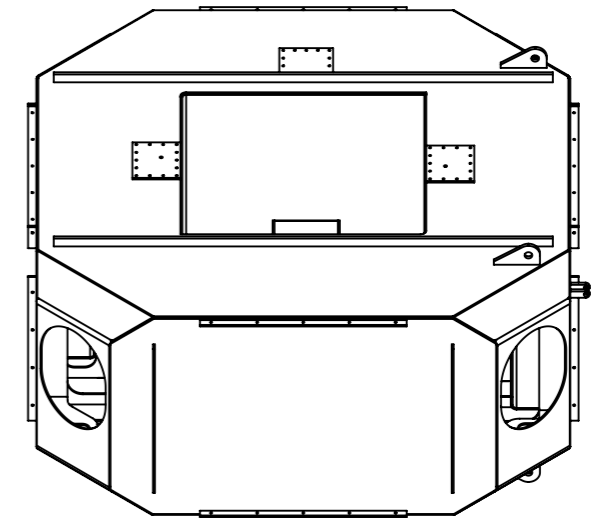
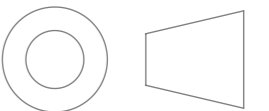


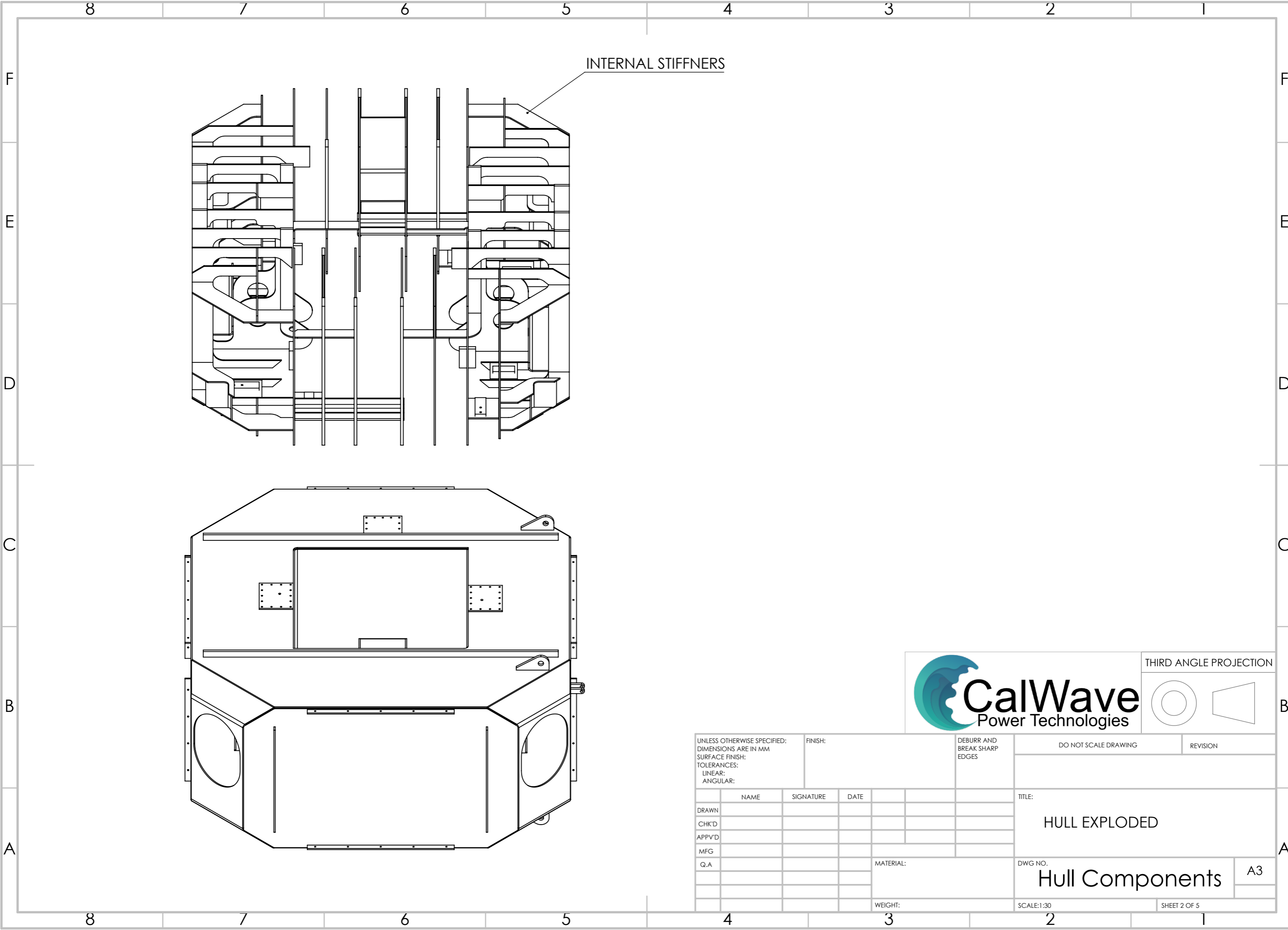
SECTION A-A



THIRD ANGLE PROJECTION



UNLESS OTHERWISE SPECIFIED: DIMENSIONS ARE IN MM SURFACE FINISH: TOLERANCES: LINEAR: ANGULAR:		FINISH:	DEBURR AND BREAK SHARP EDGES	DO NOT SCALE DRAWING	REVISION
DRAWN	NAME	SIGNATURE	DATE	TITLE: <b>HULL</b>	
CHK'D				DWG NO. <b>Hull Components</b>	
APPV'D				SCALE:1:50	A3
MFG			MATERIAL:	SHEET 1 OF 5	
Q.A			WEIGHT:		



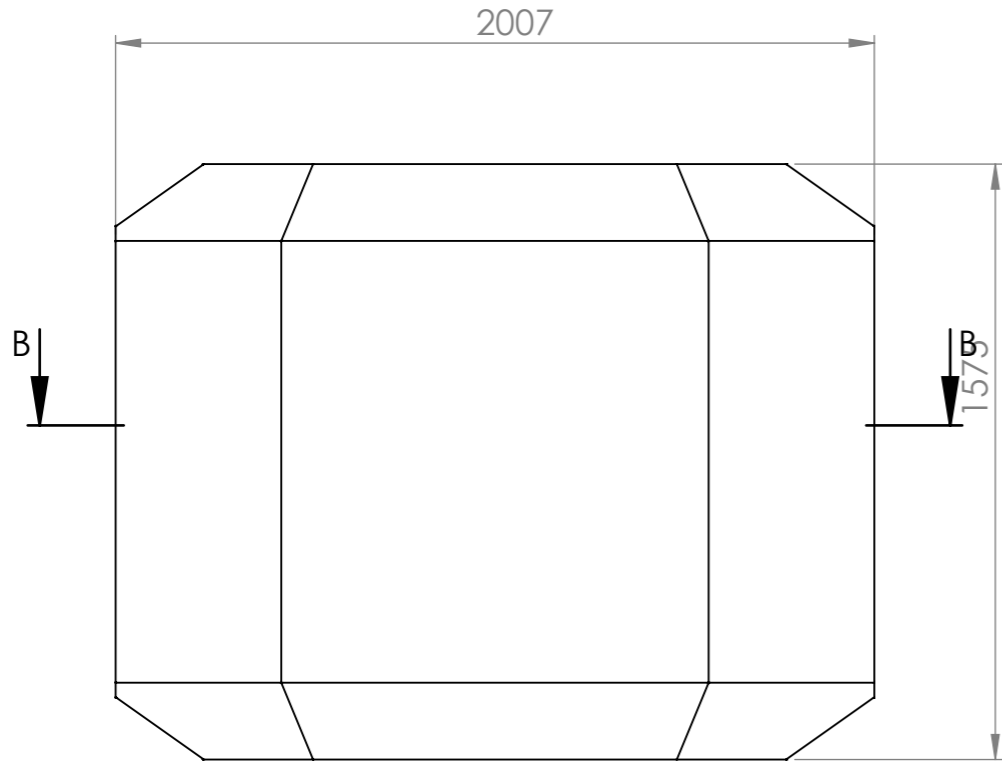
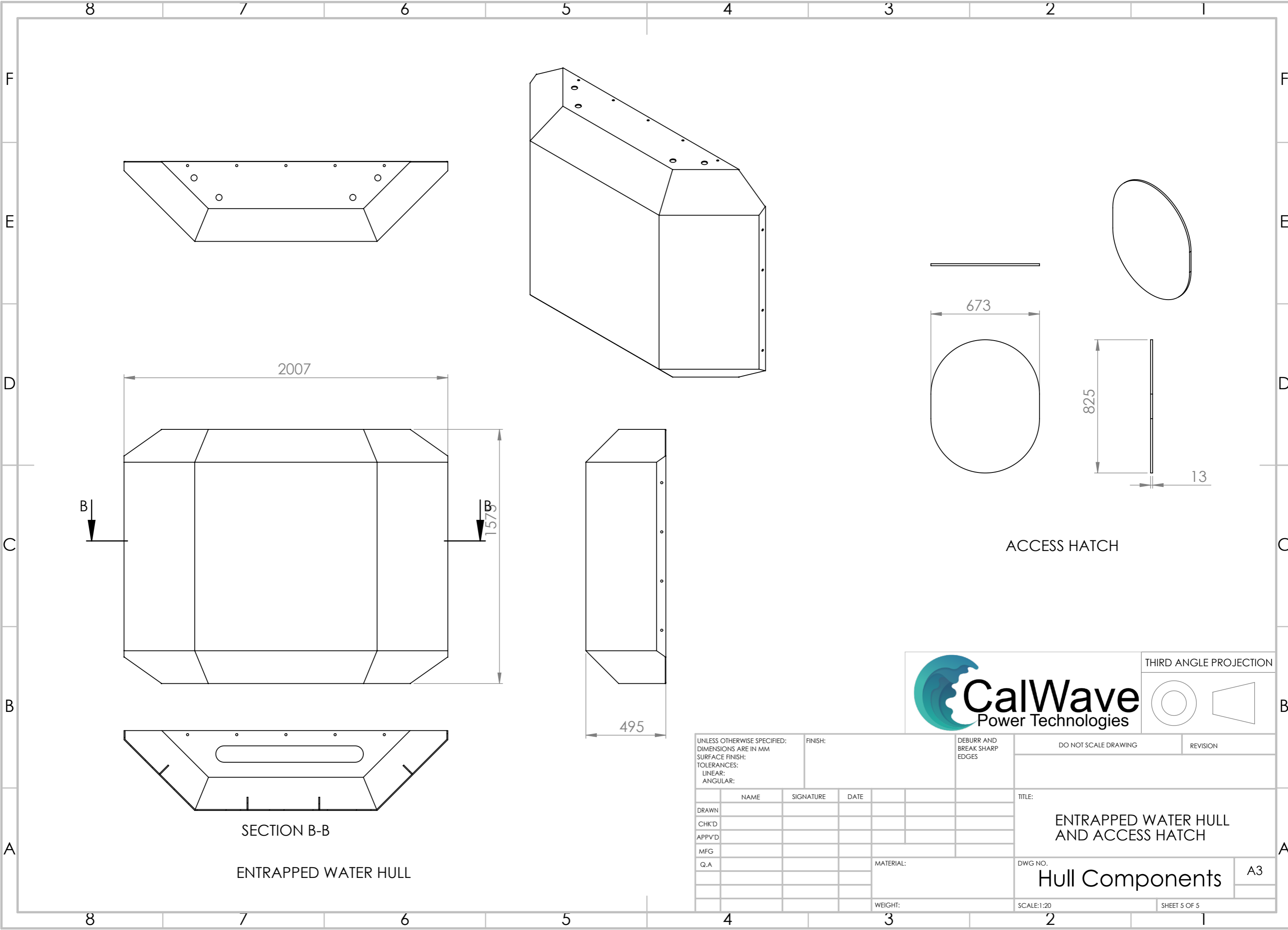
INTERNAL STIFFNERS



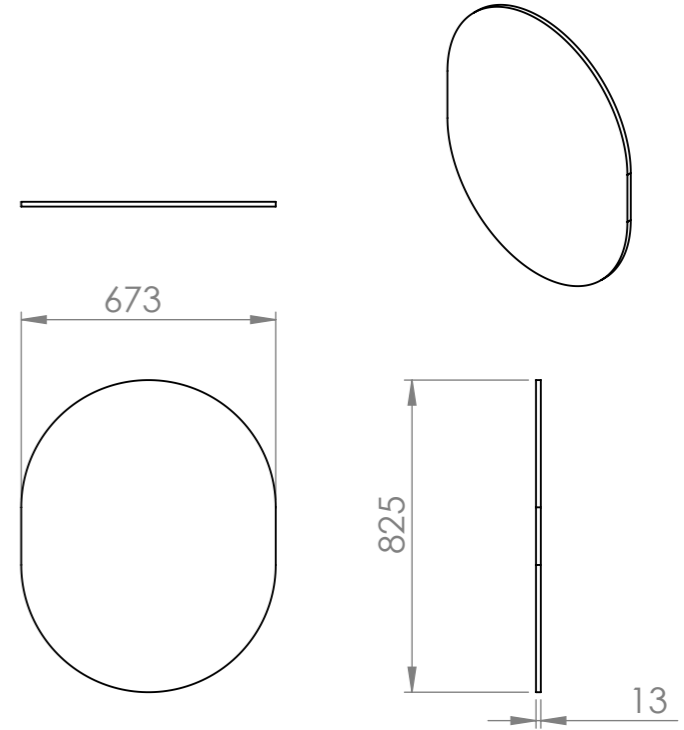
THIRD ANGLE PROJECTION



UNLESS OTHERWISE SPECIFIED: DIMENSIONS ARE IN MM SURFACE FINISH: TOLERANCES: LINEAR: ANGULAR:		FINISH:		DEBURR AND BREAK SHARP EDGES		DO NOT SCALE DRAWING		REVISION	
DRAWN	NAME	SIGNATURE	DATE			TITLE: <b>HULL EXPLODED</b>			
CHK'D						DWG NO.		A3	
APPV'D						<b>Hull Components</b>			
MFG					MATERIAL:	SCALE:1:30		SHEET 2 OF 5	
Q.A					WEIGHT:				



SECTION B-B  
ENTRAPPED WATER HULL

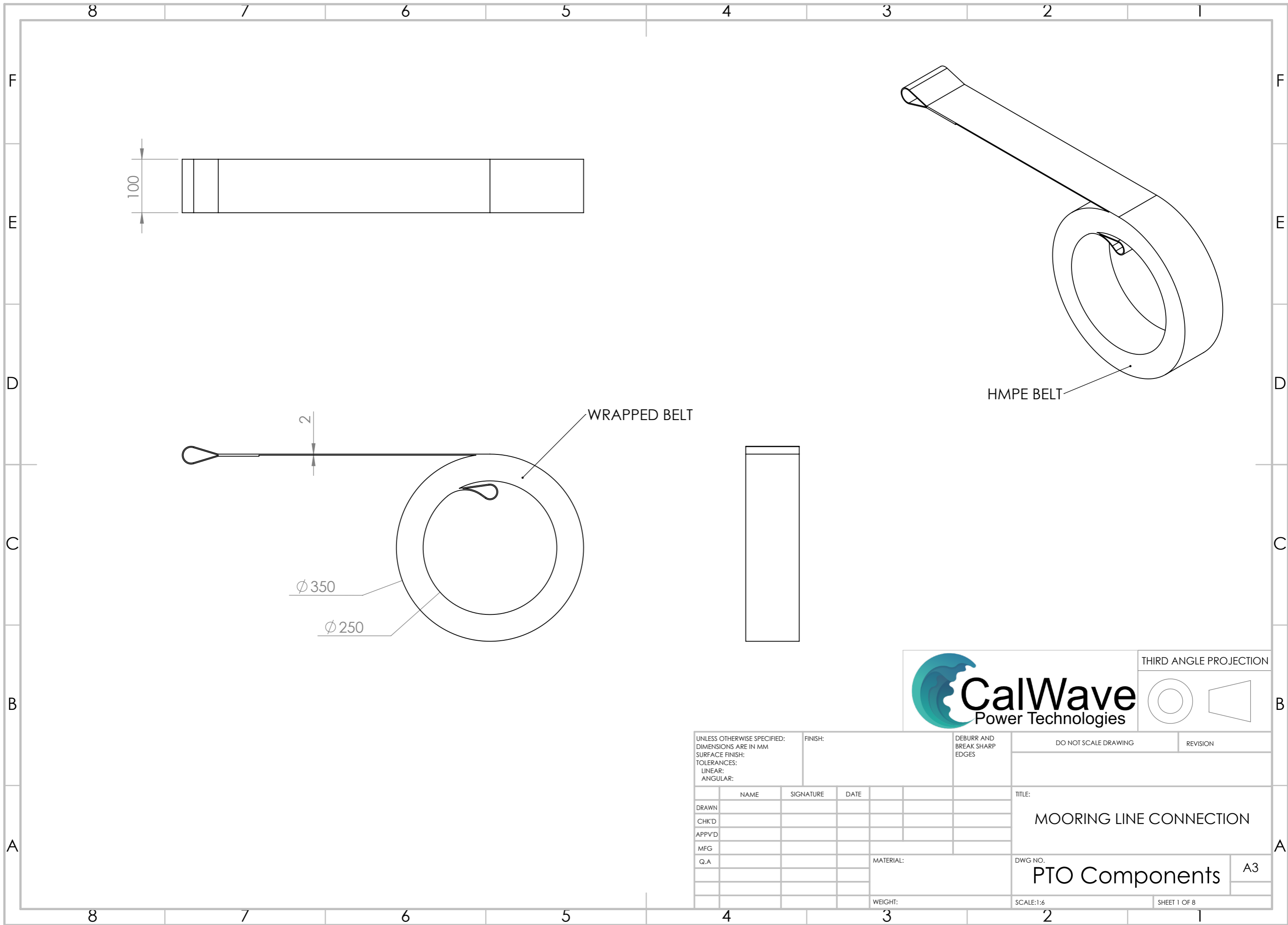


ACCESS HATCH

THIRD ANGLE PROJECTION

UNLESS OTHERWISE SPECIFIED: DIMENSIONS ARE IN MM SURFACE FINISH: TOLERANCES: LINEAR: ANGULAR:				FINISH:		DEBURR AND BREAK SHARP EDGES		DO NOT SCALE DRAWING		REVISION	
DRAWN				NAME		SIGNATURE		DATE		TITLE:	
CHK'D										ENTRAPPED WATER HULL AND ACCESS HATCH	
APPV'D											
MFG											
Q.A											
						MATERIAL:		DWG NO.		A3	
						WEIGHT:		SCALE:1:20		SHEET 5 OF 5	

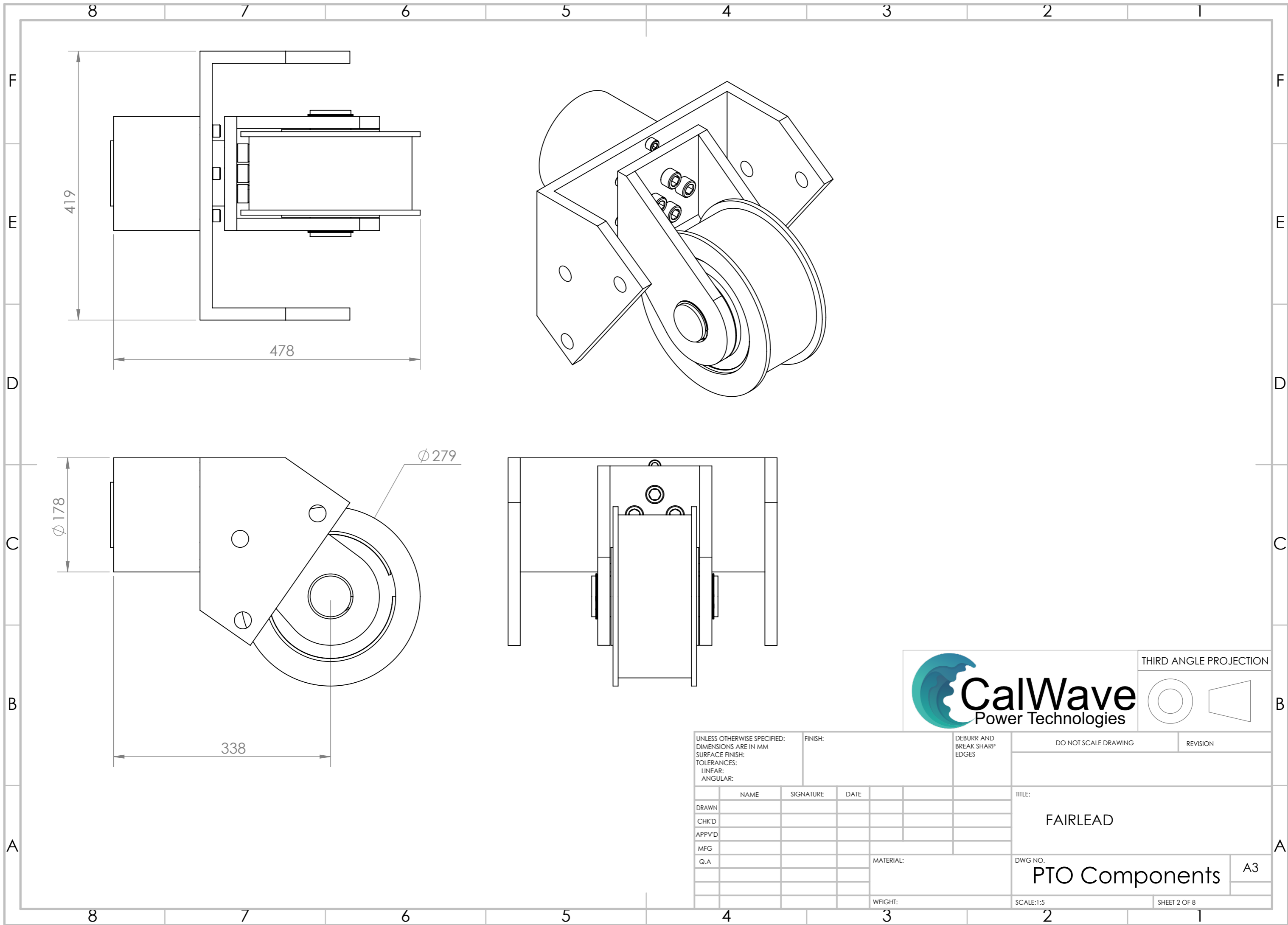
Hull Components




THIRD ANGLE PROJECTION



UNLESS OTHERWISE SPECIFIED: DIMENSIONS ARE IN MM SURFACE FINISH: TOLERANCES: LINEAR: ANGULAR:				FINISH:		DEBURR AND BREAK SHARP EDGES		DO NOT SCALE DRAWING		REVISION	
DRAWN				NAME		SIGNATURE		DATE		TITLE: <b>MOORING LINE CONNECTION</b>	
CHK'D										DWG NO.	
APPV'D										<b>PTO Components</b>	
MFG										A3	
Q.A								MATERIAL:		SCALE:1:6	
								WEIGHT:		SHEET 1 OF 8	

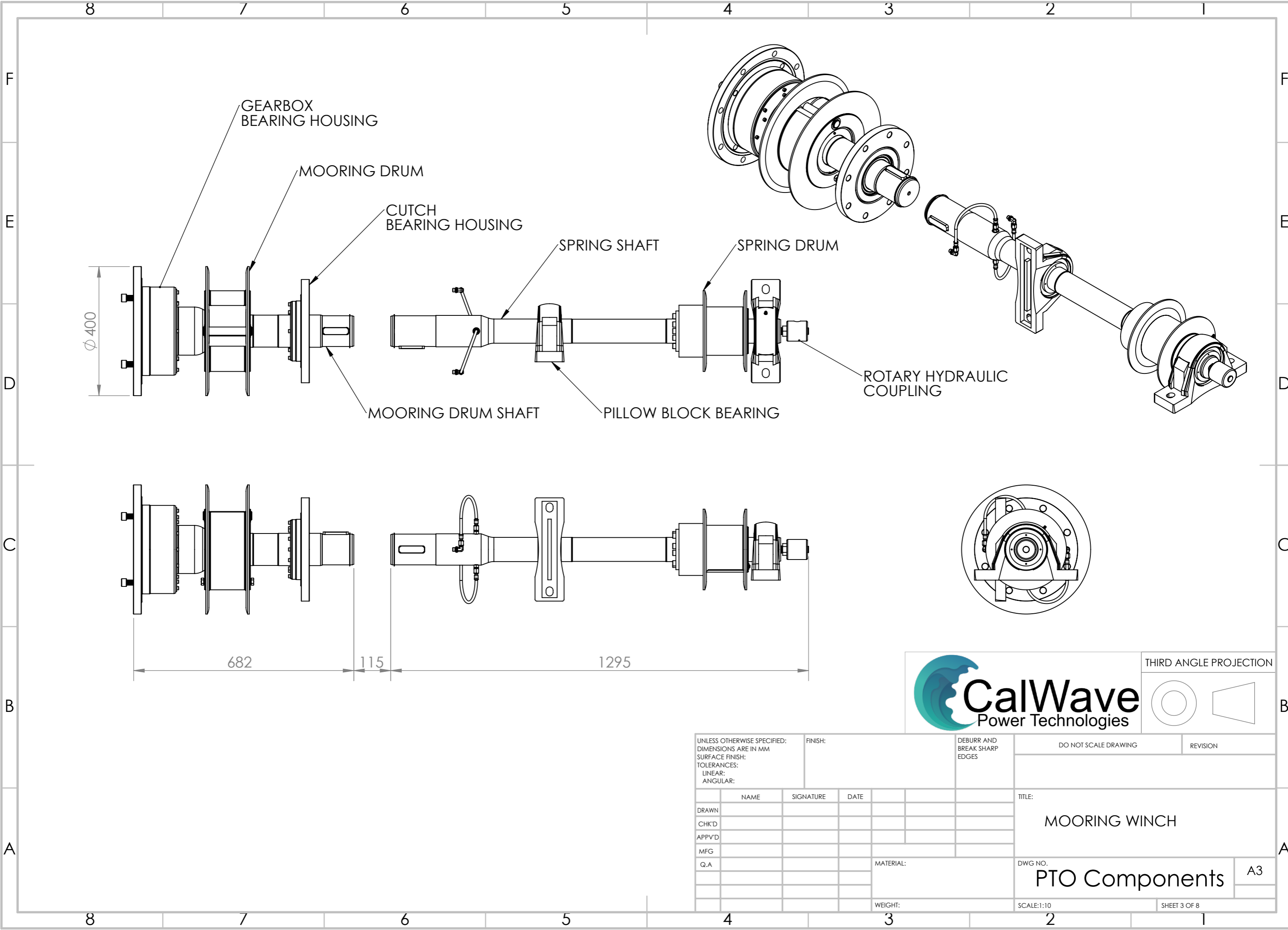



**CalWave**  
 Power Technologies

THIRD ANGLE PROJECTION



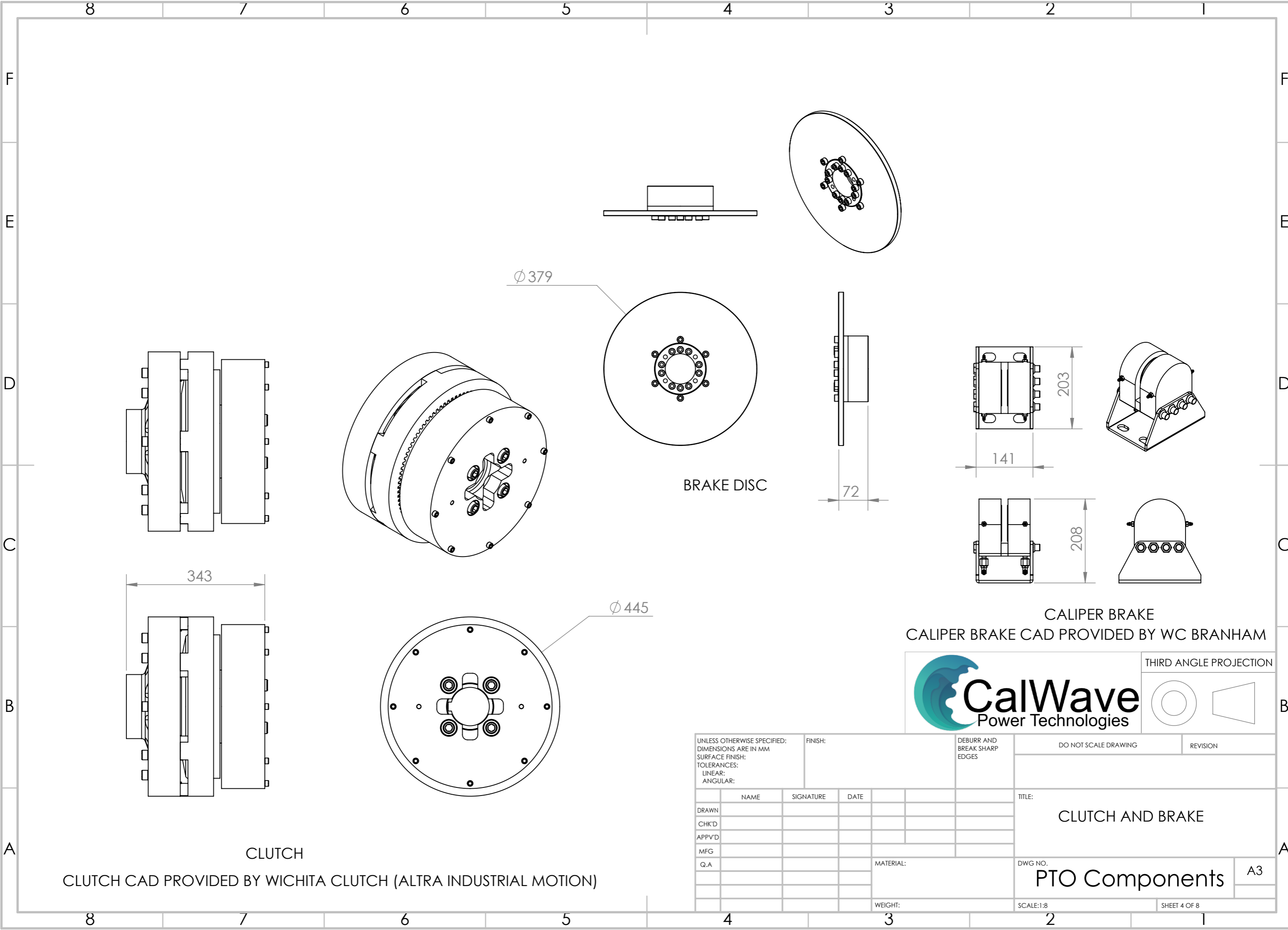
UNLESS OTHERWISE SPECIFIED: DIMENSIONS ARE IN MM SURFACE FINISH: TOLERANCES: LINEAR: ANGULAR:				FINISH:		DEBURR AND BREAK SHARP EDGES		DO NOT SCALE DRAWING		REVISION	
DRAWN				NAME		SIGNATURE		DATE		TITLE:	
CHK'D										FAIRLEAD	
APPV'D										DWG NO.	
MFG										PTO Components	
Q.A								MATERIAL:		A3	
								WEIGHT:		SCALE:1:5	
										SHEET 2 OF 8	




**CalWave**  
 Power Technologies

THIRD ANGLE PROJECTION  


UNLESS OTHERWISE SPECIFIED: DIMENSIONS ARE IN MM SURFACE FINISH: TOLERANCES: LINEAR: ANGULAR:				FINISH:		DEBURR AND BREAK SHARP EDGES		DO NOT SCALE DRAWING		REVISION	
DRAWN				NAME		SIGNATURE		DATE		TITLE: <b>MOORING WINCH</b>	
CHK'D										DWG NO.	
APPV'D										<b>PTO Components</b>	
MFG										A3	
Q.A								MATERIAL:		SCALE: 1:10	
								WEIGHT:		SHEET 3 OF 8	



CLUTCH  
CLUTCH CAD PROVIDED BY WICHITA CLUTCH (ALTRA INDUSTRIAL MOTION)

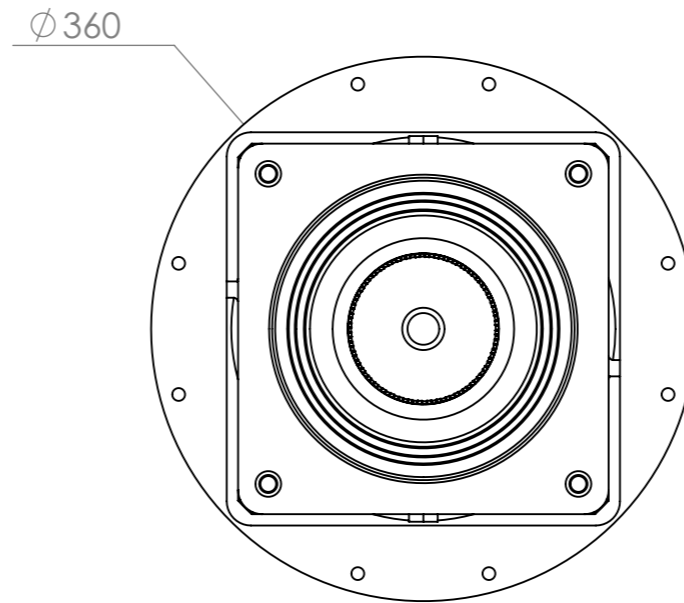
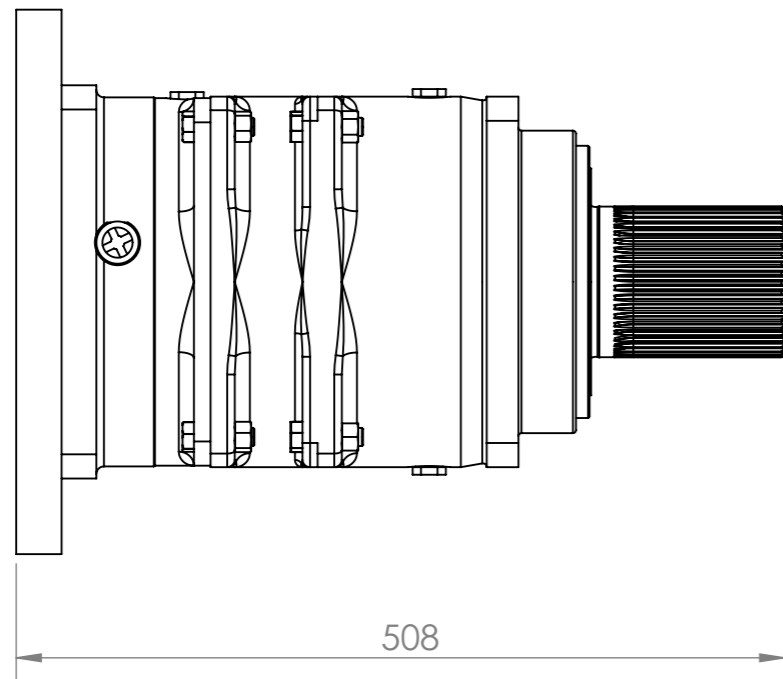
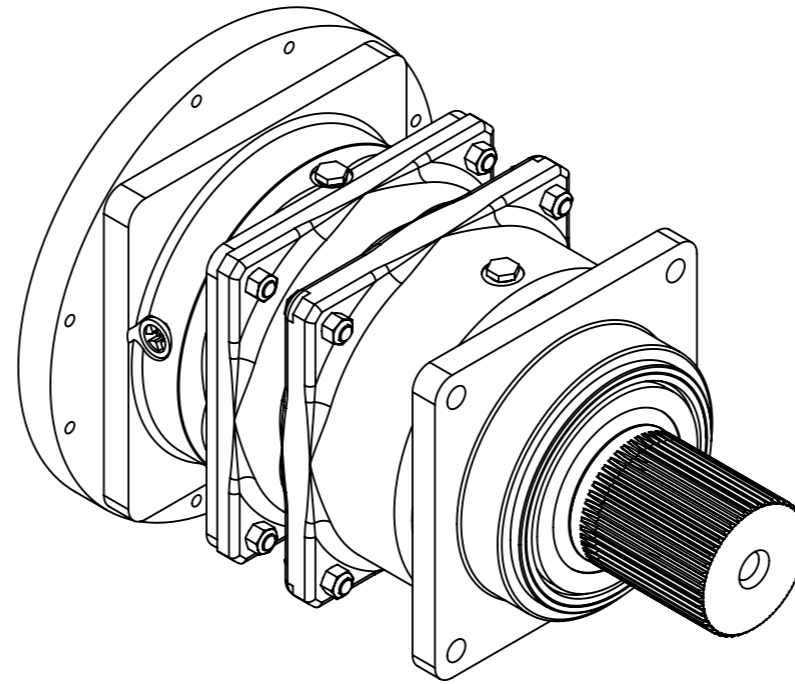
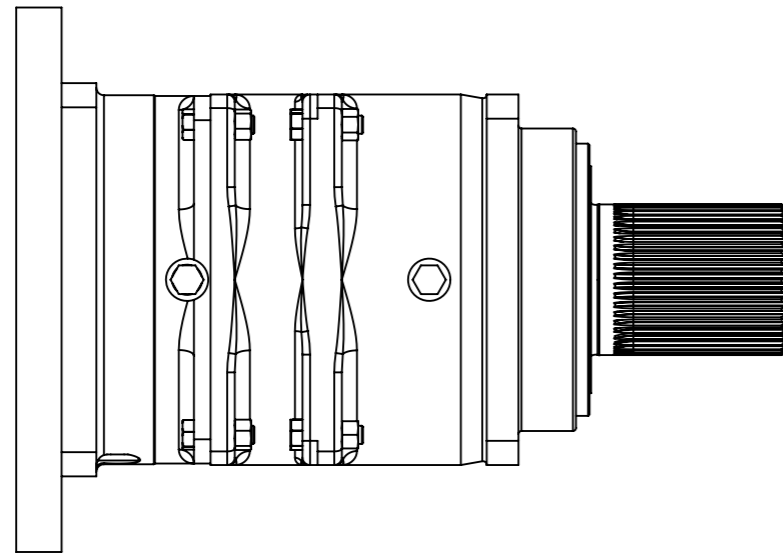
BRAKE DISC

CALIPER BRAKE  
CALIPER BRAKE CAD PROVIDED BY WC BRANHAM

CalWave  
Power Technologies

THIRD ANGLE PROJECTION

UNLESS OTHERWISE SPECIFIED: DIMENSIONS ARE IN MM SURFACE FINISH: TOLERANCES: LINEAR: ANGULAR:		FINISH:		DEBURR AND BREAK SHARP EDGES		DO NOT SCALE DRAWING		REVISION	
NAME	SIGNATURE	DATE				TITLE: CLUTCH AND BRAKE			
DRAWN						DWG NO. PTO Components			
CHK'D						SCALE:1:8			
APPV'D						SHEET 4 OF 8			
MFG									
Q.A					MATERIAL:				
					WEIGHT:				



NOTE: CAD PROVIDED BY SERVOTAK (AXIS AUTOMATION)

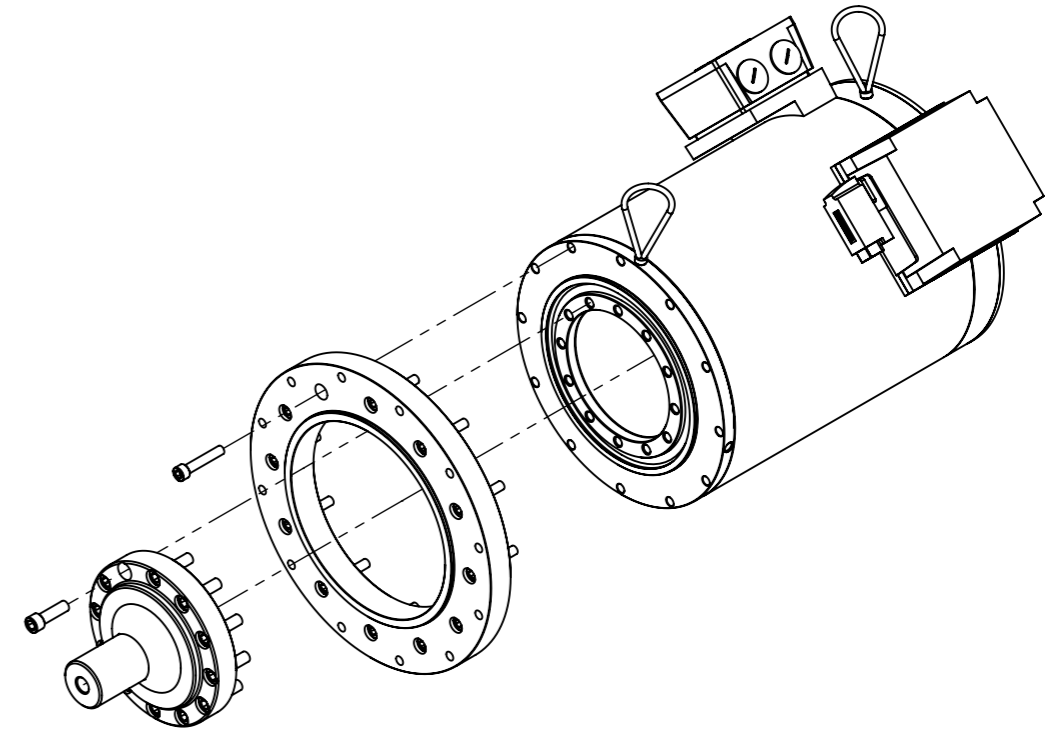
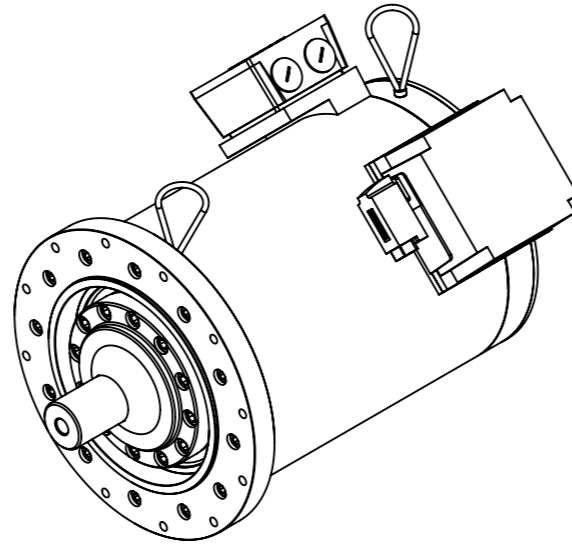
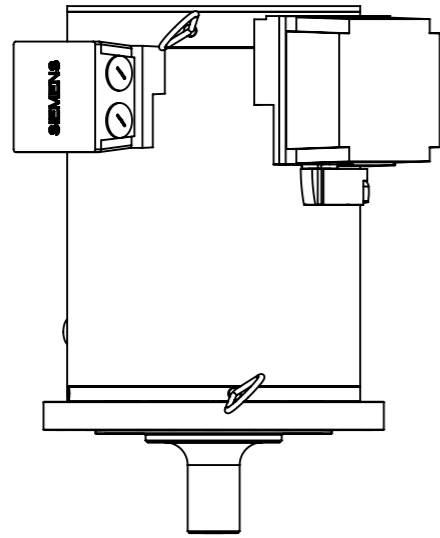


THIRD ANGLE PROJECTION

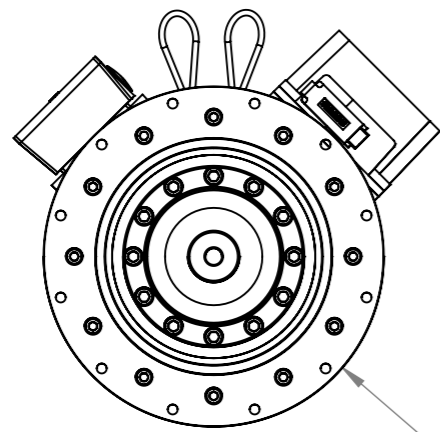


UNLESS OTHERWISE SPECIFIED: DIMENSIONS ARE IN MM SURFACE FINISH: TOLERANCES: LINEAR: ANGULAR:		FINISH:		DEBURR AND BREAK SHARP EDGES		DO NOT SCALE DRAWING		REVISION	
DRAWN		NAME		SIGNATURE		DATE		TITLE: <b>GEARBOX</b>	
CHK'D								DWG NO. <b>PTO Components</b>	
APPV'D								SCALE:1:5	
MFG								SHEET 5 OF 8	
Q.A						MATERIAL:		A3	
						WEIGHT:			

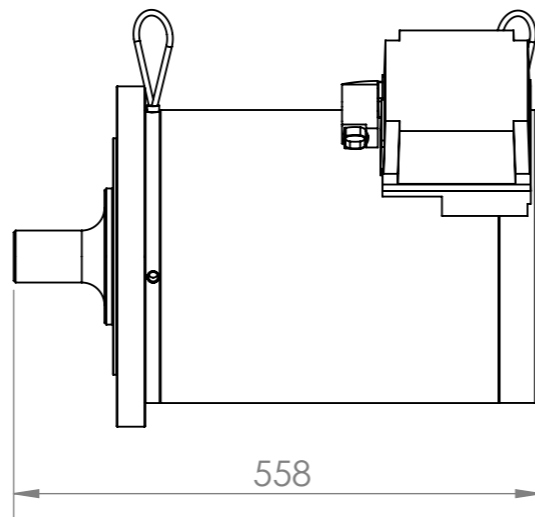




EXPLODED ASSEMBLY



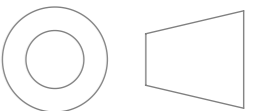
Ø 359



558



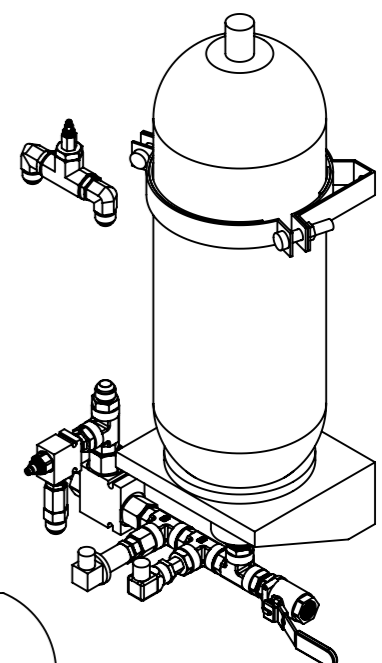
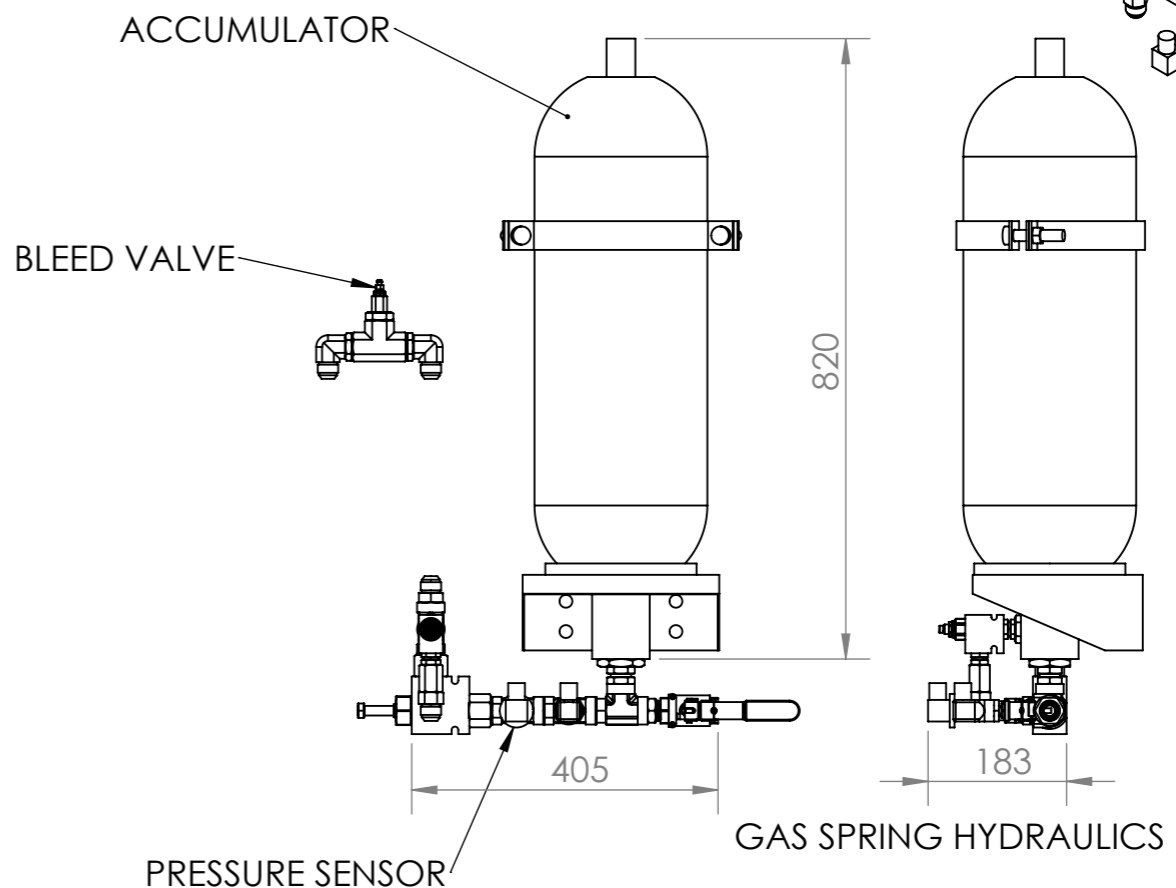
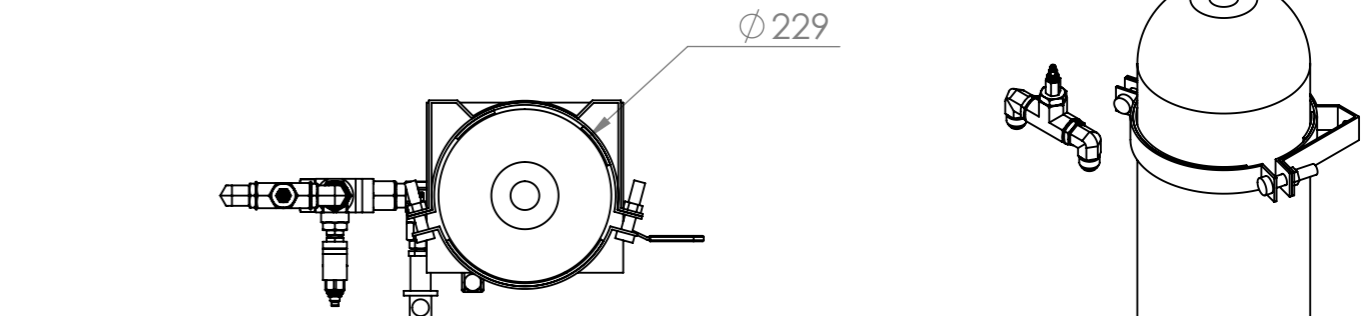
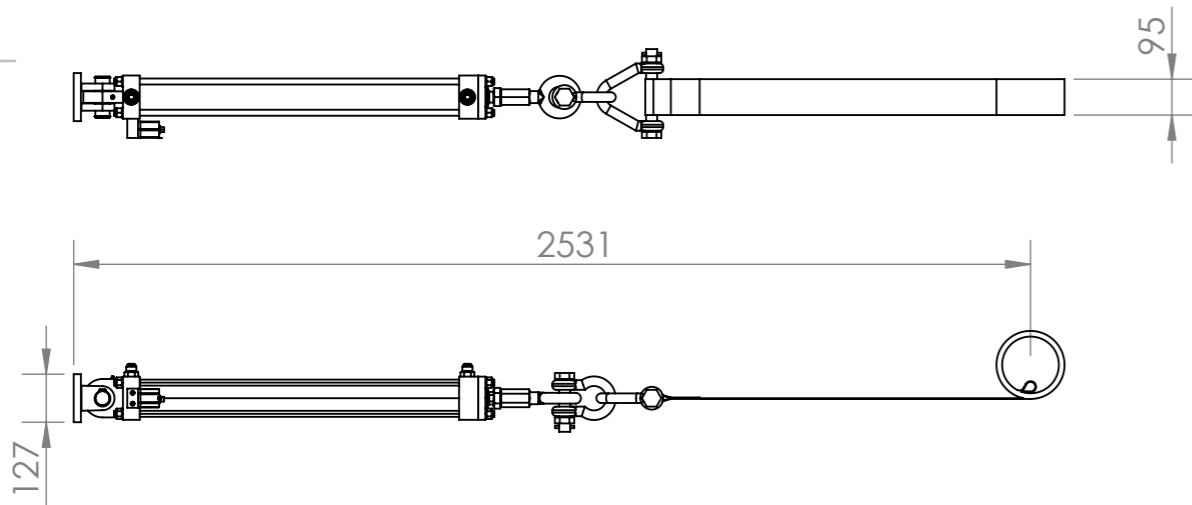
THIRD ANGLE PROJECTION



UNLESS OTHERWISE SPECIFIED: DIMENSIONS ARE IN MM SURFACE FINISH: TOLERANCES: LINEAR: ANGULAR:				FINISH:		DEBURR AND BREAK SHARP EDGES		DO NOT SCALE DRAWING		REVISION	
DRAWN				NAME		SIGNATURE		DATE		TITLE:	
CHK'D										MOTOR/GENERATOR	
APPV'D											
MFG										DWG NO.	
Q.A										PTO Components	
										A3	
										SCALE:1:8	
										SHEET 6 OF 8	

HYDRAULIC CYLINDER  
 BELT  
 CONNECTION HARDWARE

GAS SPRING MECHANICAL

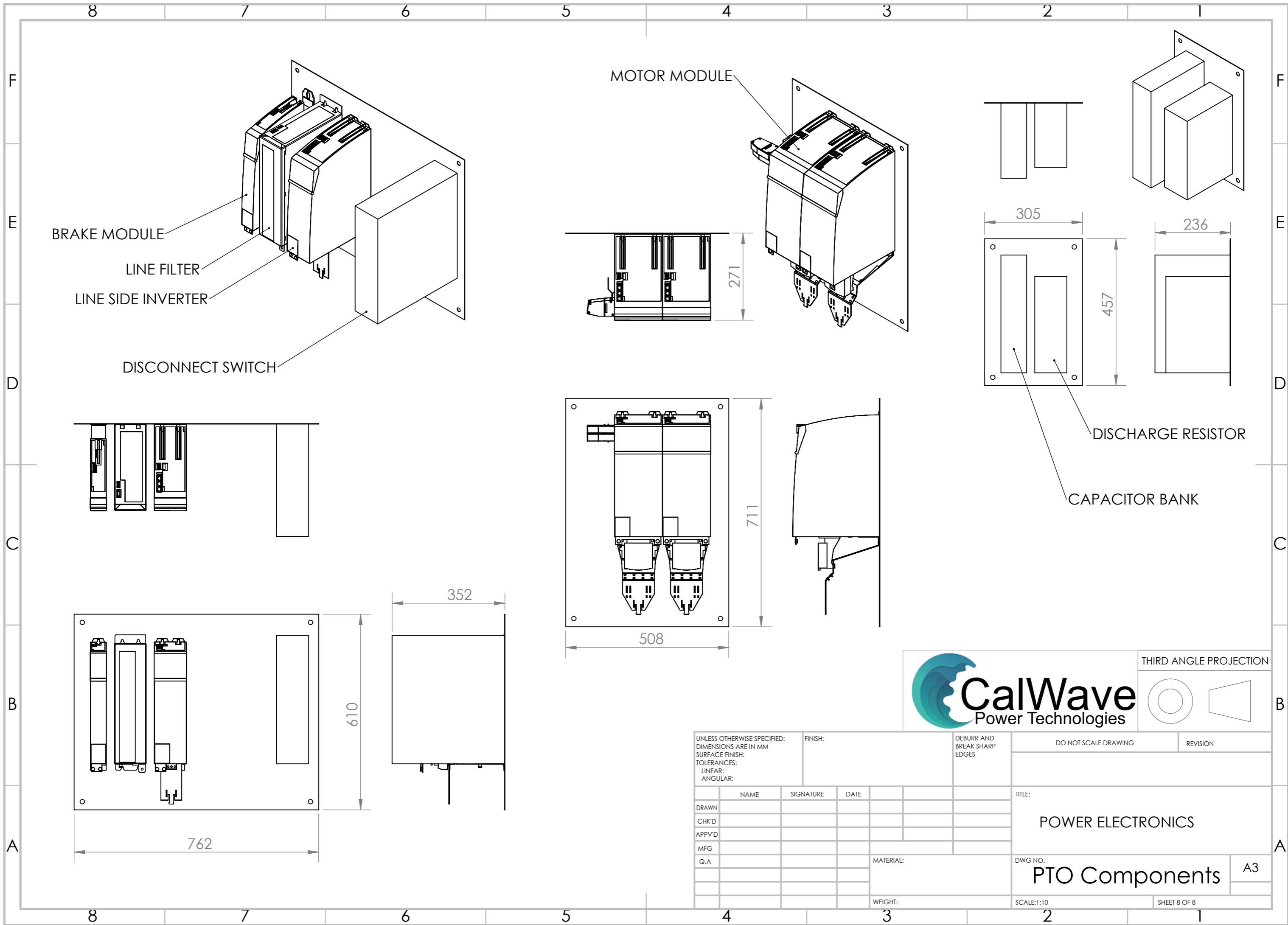


**CalWave**  
 Power Technologies

THIRD ANGLE PROJECTION

UNLESS OTHERWISE SPECIFIED: DIMENSIONS ARE IN MM SURFACE FINISH: TOLERANCES: LINEAR: ANGULAR:		FINISH:		DEBURR AND BREAK SHARP EDGES		DO NOT SCALE DRAWING		REVISION	
DRAWN		NAME		SIGNATURE		DATE		TITLE:	
CHK'D								GAS SPRING	
APPV'D									
MFG								DWG NO.	
Q.A								PTO Components	
								SCALE: 1:20	
								SHEET 7 OF 8	

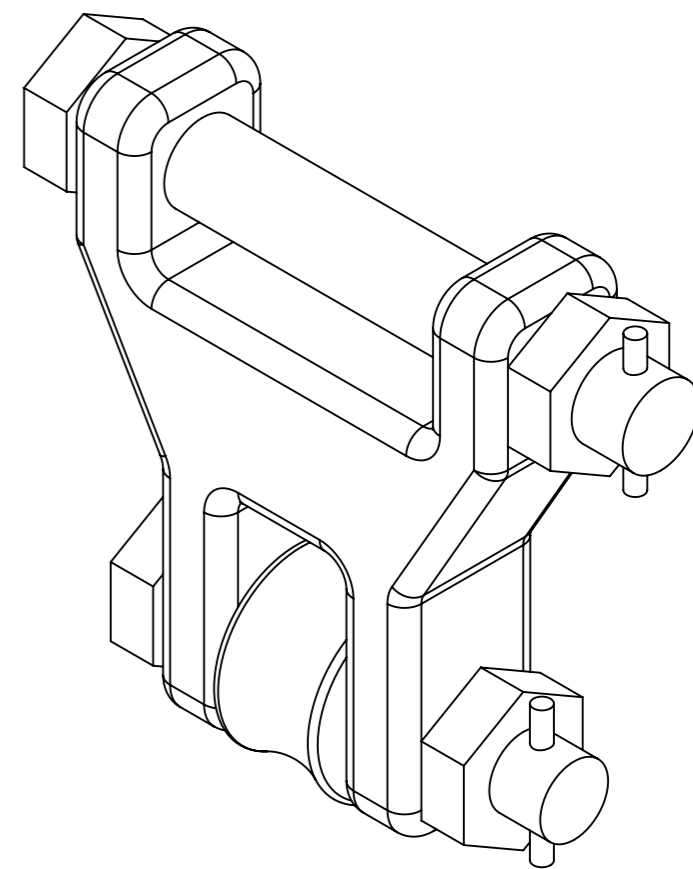
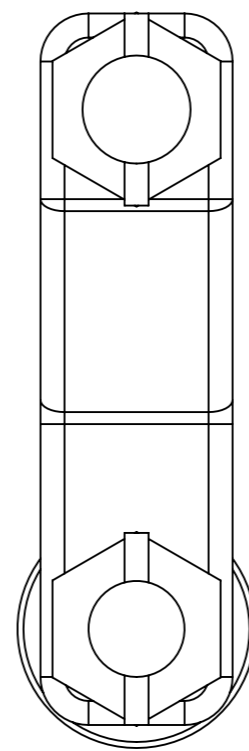
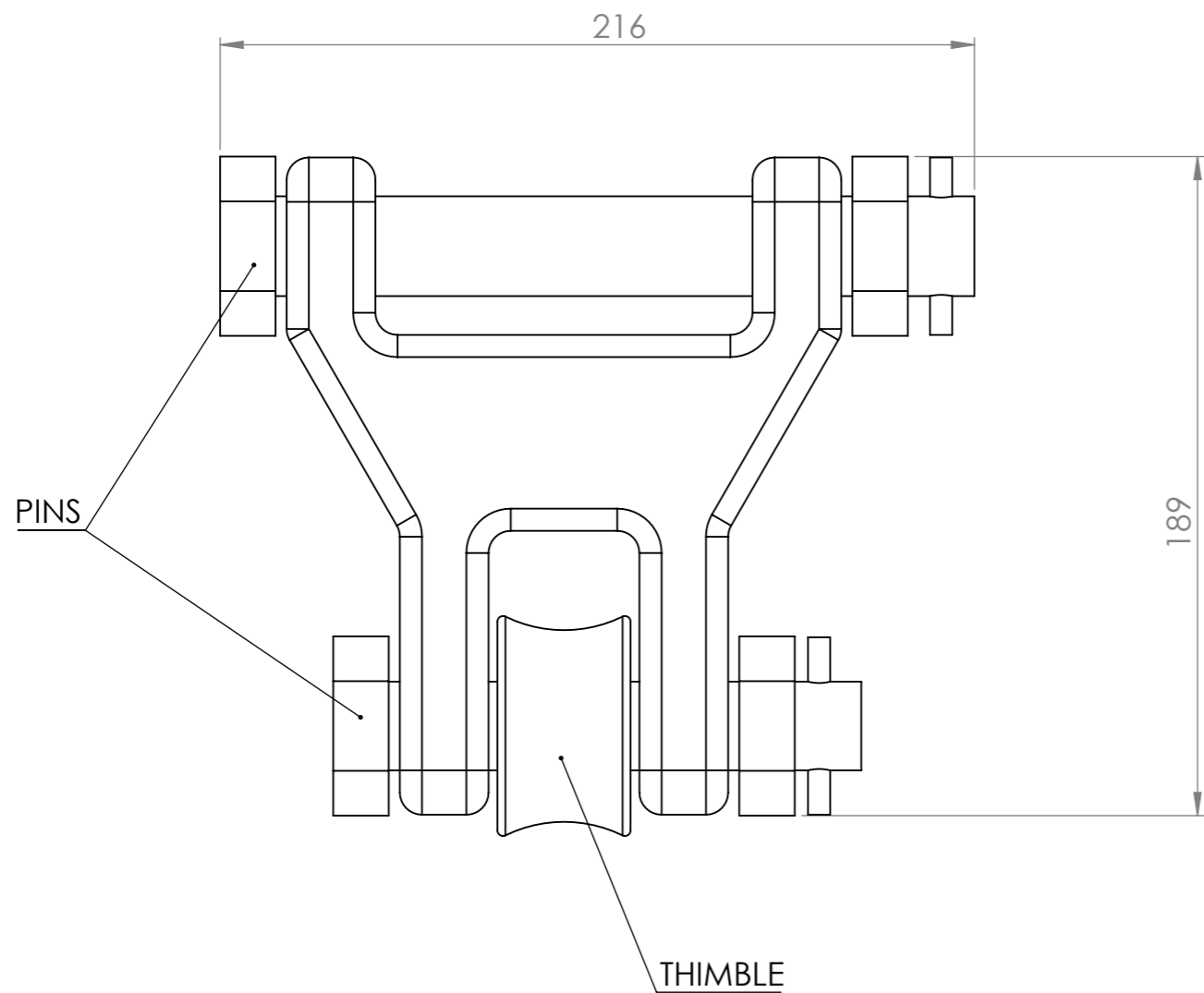
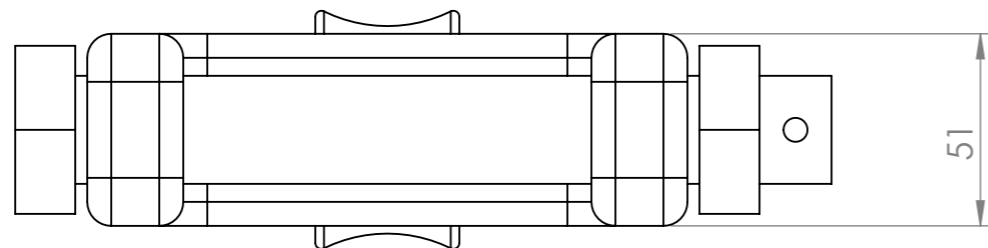
A3



**CalWave**  
 Power Technologies

THIRD ANGLE PROJECTION

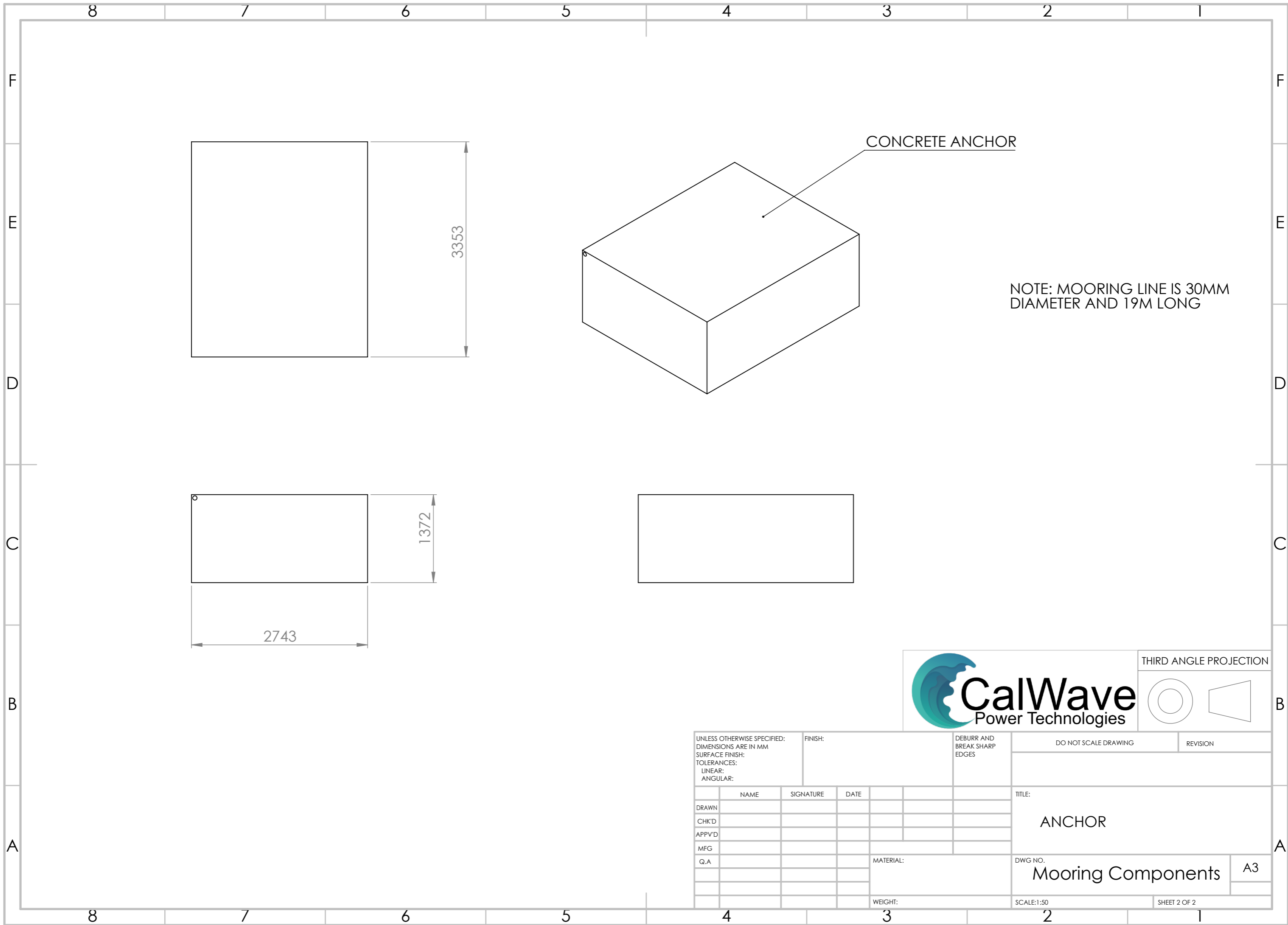
UNLESS OTHERWISE SPECIFIED: DIMENSIONS ARE IN MM SURFACE FINISH: TOLERANCES: LINEAR: ANGULAR:				FINISH:		DEBURR AND BREAK SHARP EDGES		DO NOT SCALE DRAWING		REVISION	
DRAWN				NAME		SIGNATURE		DATE		TITLE:	
CHK'D										POWER ELECTRONICS	
APPV'D										DWG NO.	
MFG										PTO Components	
Q.A										A3	
						MATERIAL:		SCALE:1:10		SHEET 8 OF 8	
						WEIGHT:					




THIRD ANGLE PROJECTION



UNLESS OTHERWISE SPECIFIED: DIMENSIONS ARE IN MM SURFACE FINISH: TOLERANCES: LINEAR: ANGULAR:		FINISH:		DEBURR AND BREAK SHARP EDGES		DO NOT SCALE DRAWING		REVISION	
DRAWN		NAME		SIGNATURE		DATE		TITLE: <b>MOORING LINE CONNECTION</b>	
CHK'D								DWG NO. <b>Mooring Components</b>	
APPV'D								SCALE:1:2	
MFG								SHEET 1 OF 2	
Q.A						MATERIAL:		A3	
						WEIGHT:			

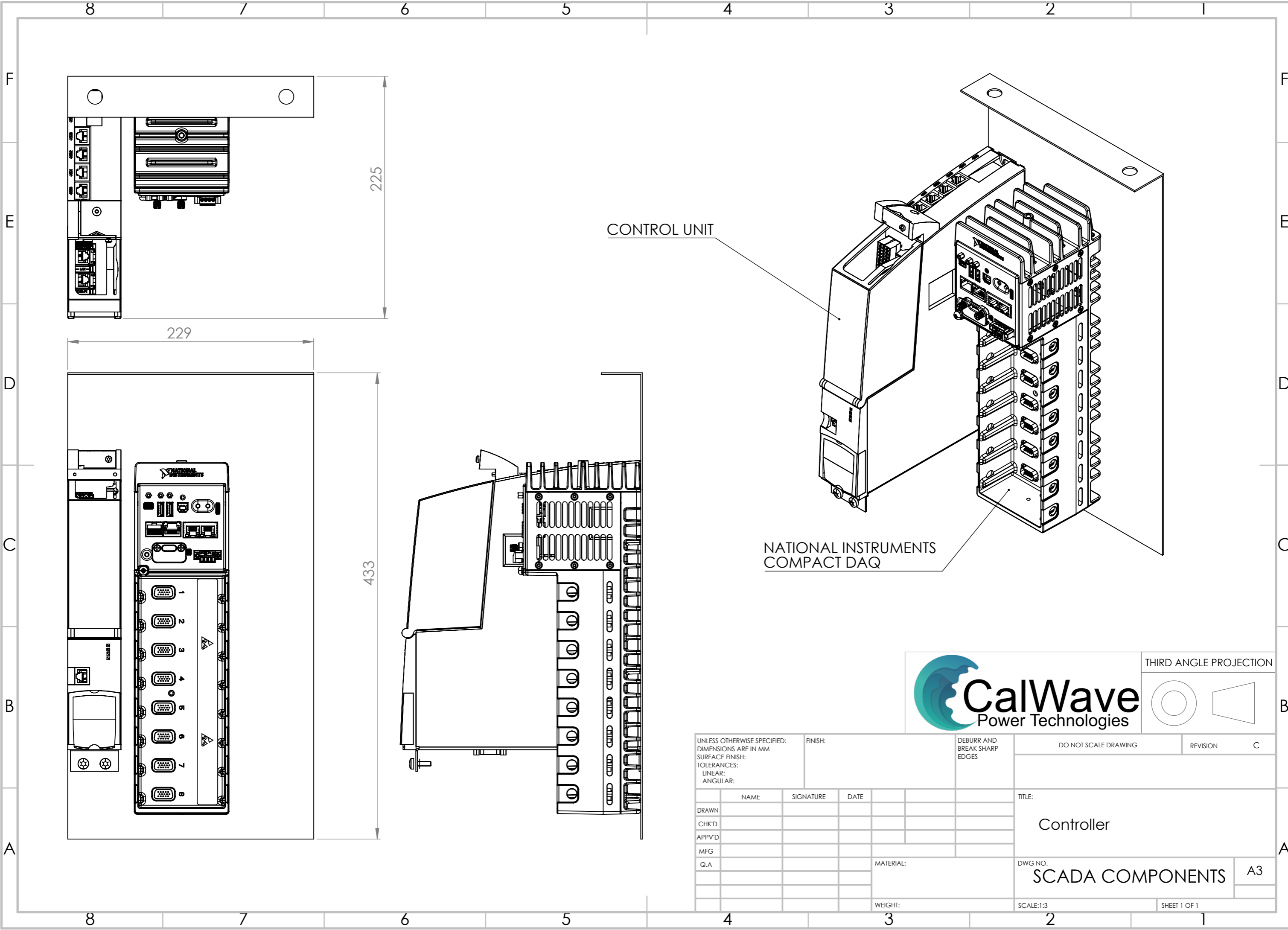


**CalWave**  
Power Technologies

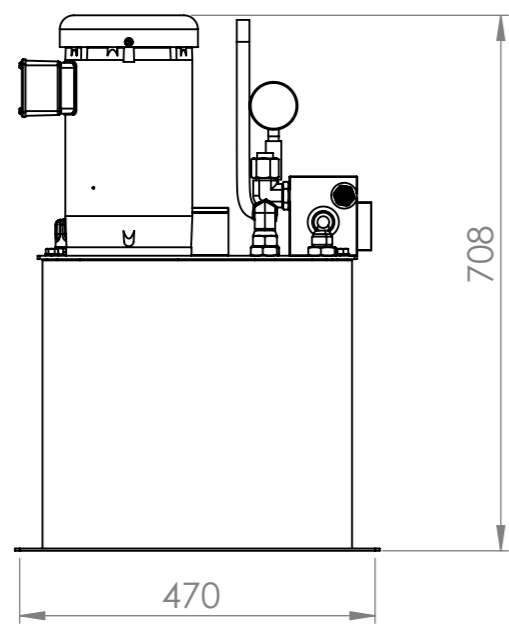
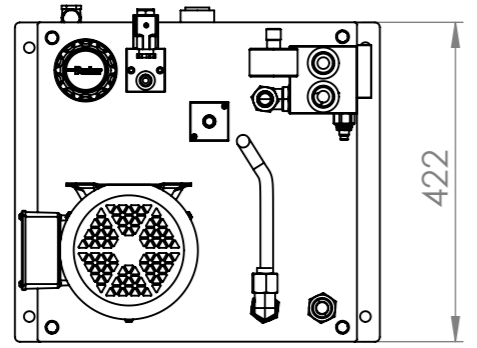
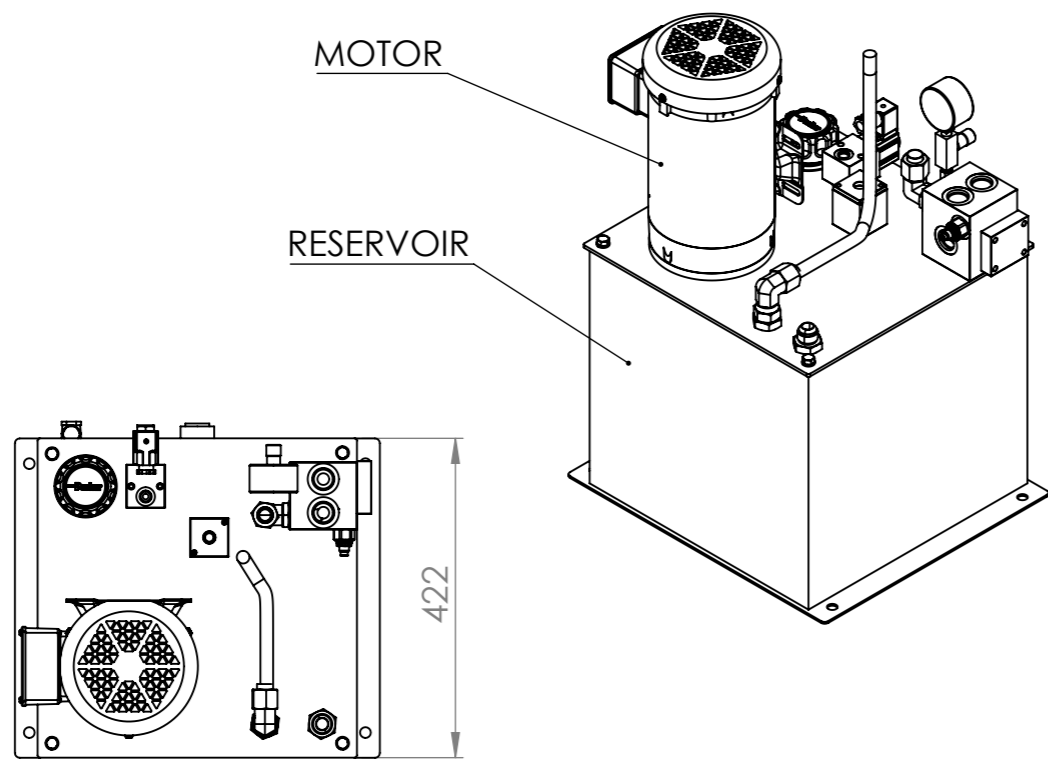
THIRD ANGLE PROJECTION

UNLESS OTHERWISE SPECIFIED: DIMENSIONS ARE IN MM SURFACE FINISH: TOLERANCES: LINEAR: ANGULAR:				FINISH:		DEBURR AND BREAK SHARP EDGES		DO NOT SCALE DRAWING		REVISION	
DRAWN								TITLE: <b>ANCHOR</b>			
CHK'D											
APPV'D											
MFG											
Q.A											
MATERIAL:						DWG NO.		A3			
WEIGHT:						SCALE:1:50		SHEET 2 OF 2			

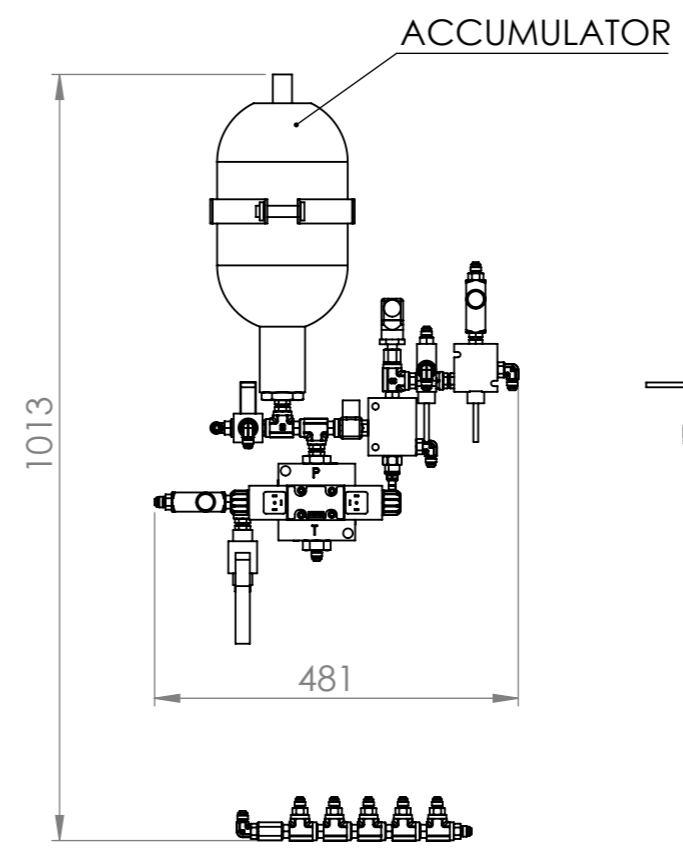
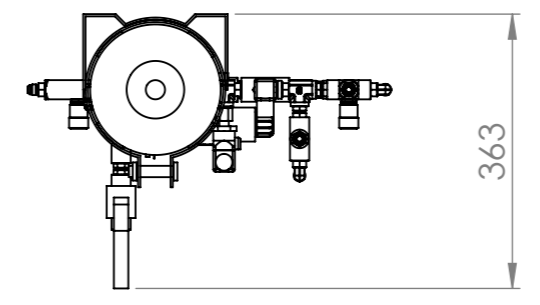
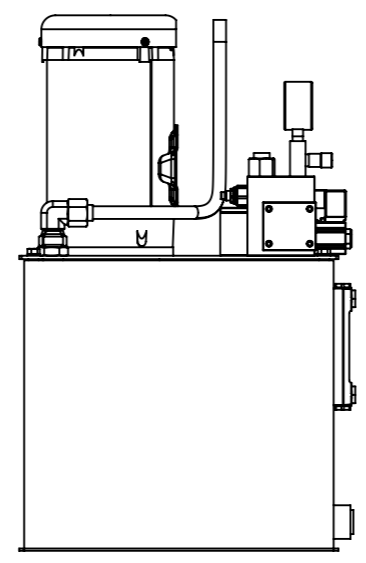
**Mooring Components**



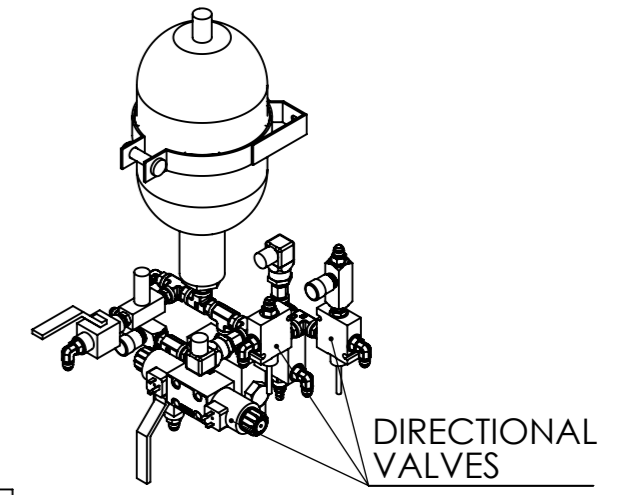
UNLESS OTHERWISE SPECIFIED: DIMENSIONS ARE IN MM SURFACE FINISH: TOLERANCES: LINEAR: ANGULAR:				FINISH:		DEBURR AND BREAK SHARP EDGES		DO NOT SCALE DRAWING		REVISION C	
DRAWN						TITLE: Controller					
CHK'D						DWG NO. SCADA COMPONENTS					
APPV'D						SCALE:1:3					
MFG						SHEET 1 OF 1					
Q.A						MATERIAL:		WEIGHT:		A3	



HPU



ACCUMULATOR



INTERMEDIATE HYDRAULIC COMPONENTS

CalWave  
Power Technologies

THIRD ANGLE PROJECTION

UNLESS OTHERWISE SPECIFIED: DIMENSIONS ARE IN MM SURFACE FINISH: TOLERANCES: LINEAR: ANGULAR:				FINISH:		DEBURR AND BREAK SHARP EDGES		DO NOT SCALE DRAWING		REVISION	
DRAWN				NAME		SIGNATURE		DATE		TITLE:	
CHK'D										AUXILIARY HYDRAULICS	
APPV'D											
MFG											
Q.A											
						MATERIAL:		DWG NO.		A3	
						WEIGHT:		SCALE:1:10		SHEET 1 OF 1	