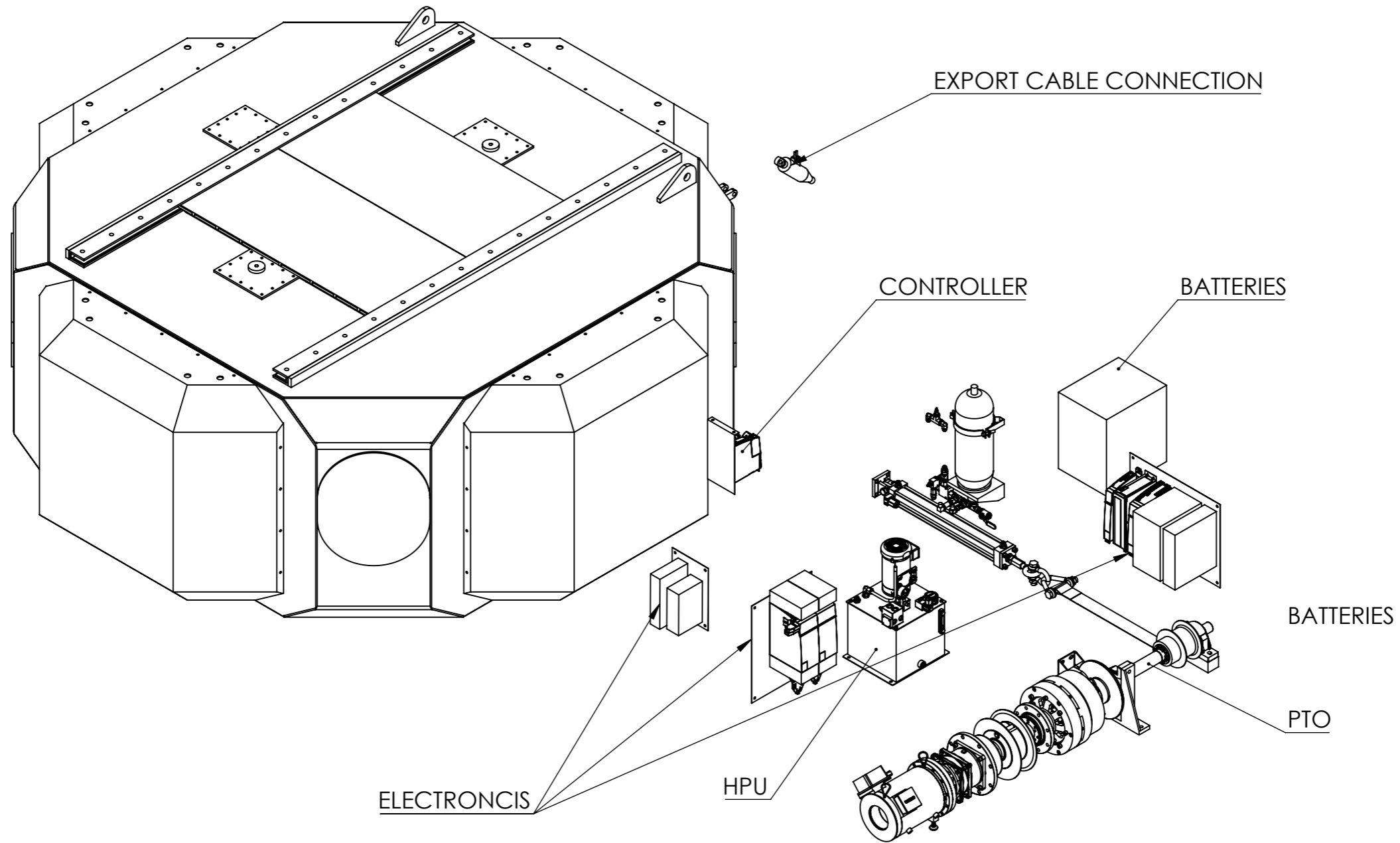


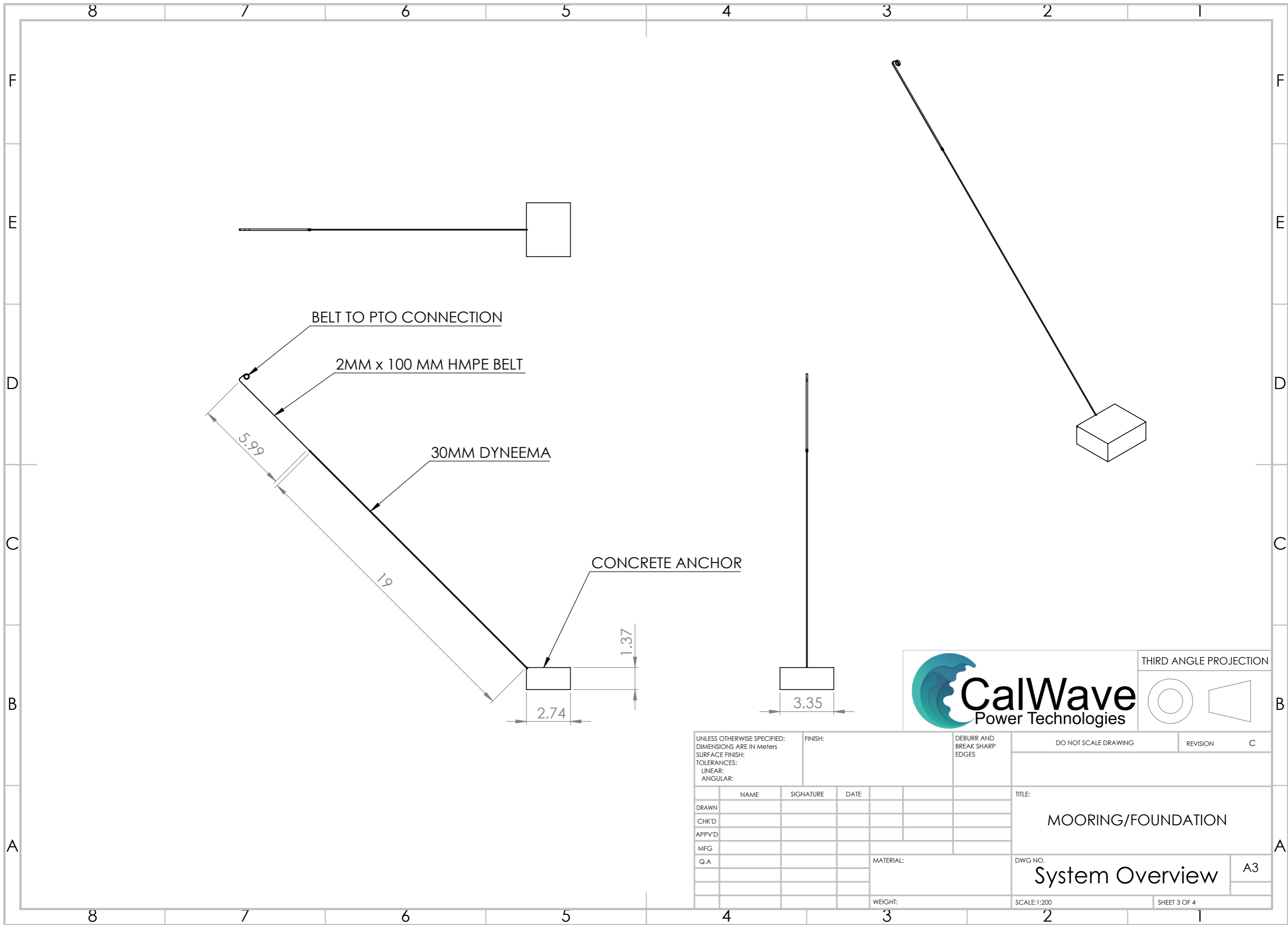

THIRD ANGLE PROJECTION


UNLESS OTHERWISE SPECIFIED: DIMENSIONS ARE IN Meters		FINISH:		DEBURR AND BREAK SHARP EDGES		DO NOT SCALE DRAWING		REVISION C	
SURFACE FINISH:									
TOLERANCES:									
LINEAR:									
ANGULAR:									
DRAWN	NAME	SIGNATURE	DATE			TITLE: WEC DEVICE			
CHK'D									
APPV'D									
MFG									
Q.A				MATERIAL:		DWG NO.		A3	
						System Overview			
				WEIGHT:		SCALE:1:50		SHEET 1 OF 4	



THIRD ANGLE PROJECTION

UNLESS OTHERWISE SPECIFIED: DIMENSIONS ARE IN Meters SURFACE FINISH: TOLERANCES: LINEAR: ANGULAR:				FINISH:		DEBURR AND BREAK SHARP EDGES		DO NOT SCALE DRAWING		REVISION C	
DRAWN								TITLE:			
CHK'D								EXPLODED VIEW			
APPV'D											
MFG								DWG NO.		A3	
Q.A								System Overview			
MATERIAL:								SCALE:1:30		SHEET 2 OF 4	
WEIGHT:											




THIRD ANGLE PROJECTION



UNLESS OTHERWISE SPECIFIED: DIMENSIONS ARE IN Meters SURFACE FINISH: TOLERANCES: LINEAR: ANGULAR:				FINISH:		DEBURR AND BREAK SHARP EDGES		DO NOT SCALE DRAWING		REVISION		C	
DRAWN				NAME		SIGNATURE		DATE		TITLE: MOORING/FOUNDATION			
CHK'D													
APPV'D													
MFG													
Q.A								MATERIAL:		DWG NO.		A3	
								WEIGHT:		SCALE:1:200		SHEET 3 OF 4	
										System Overview			